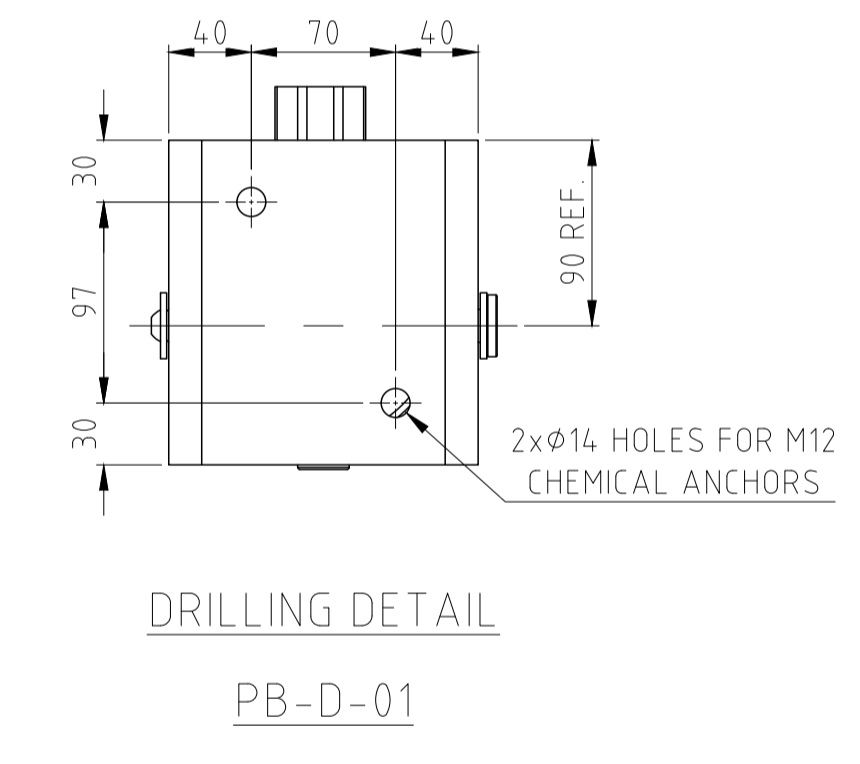
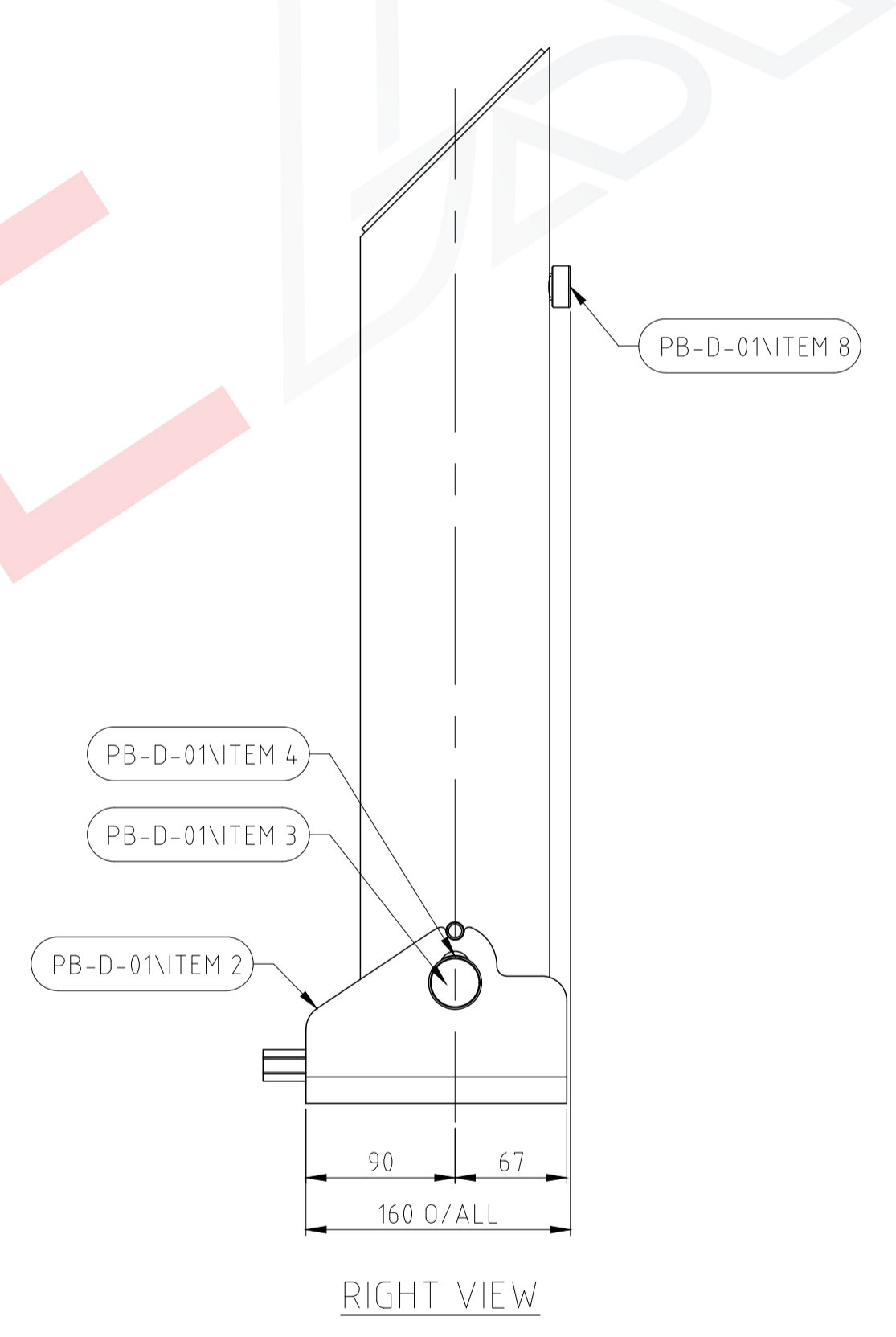
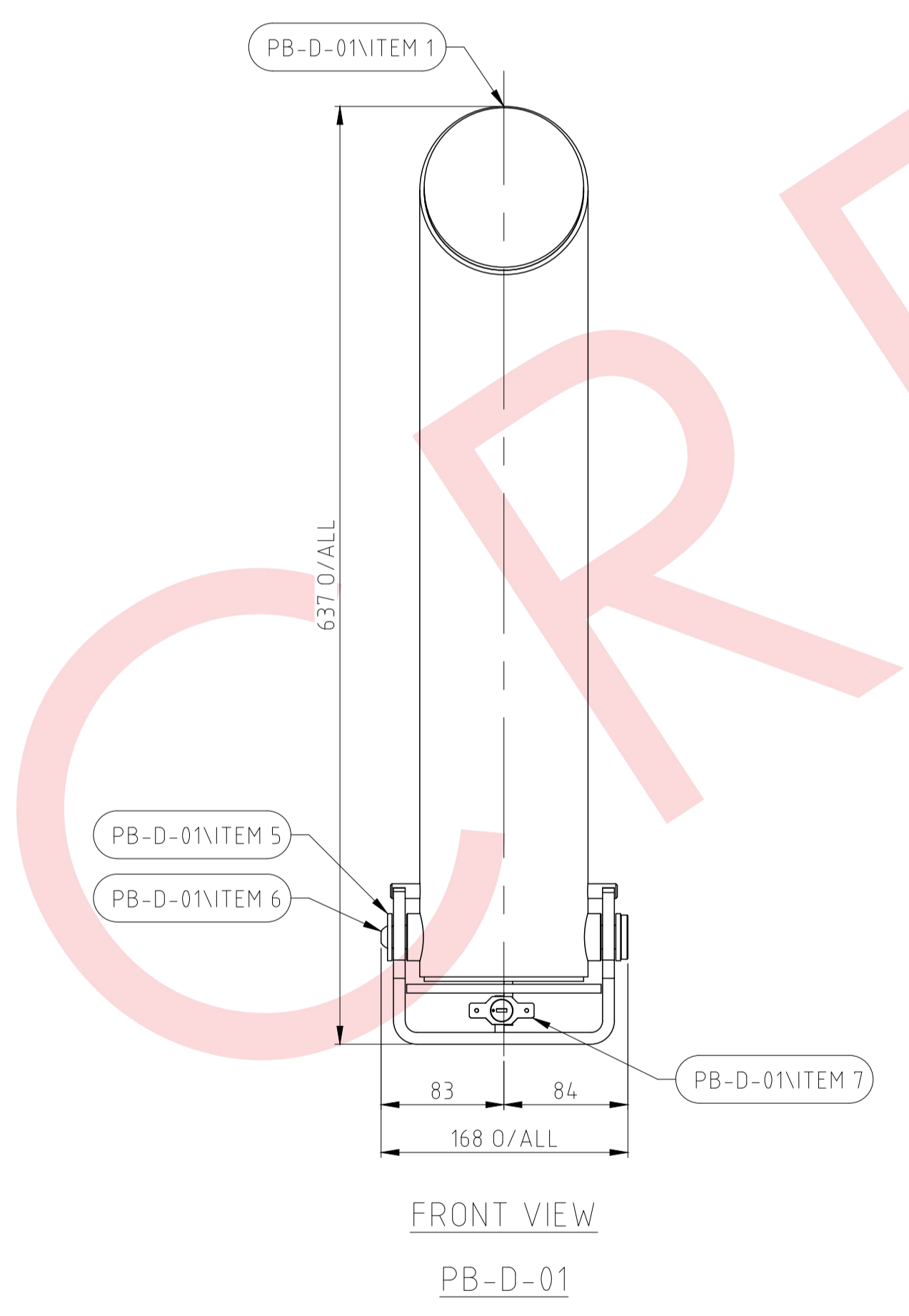
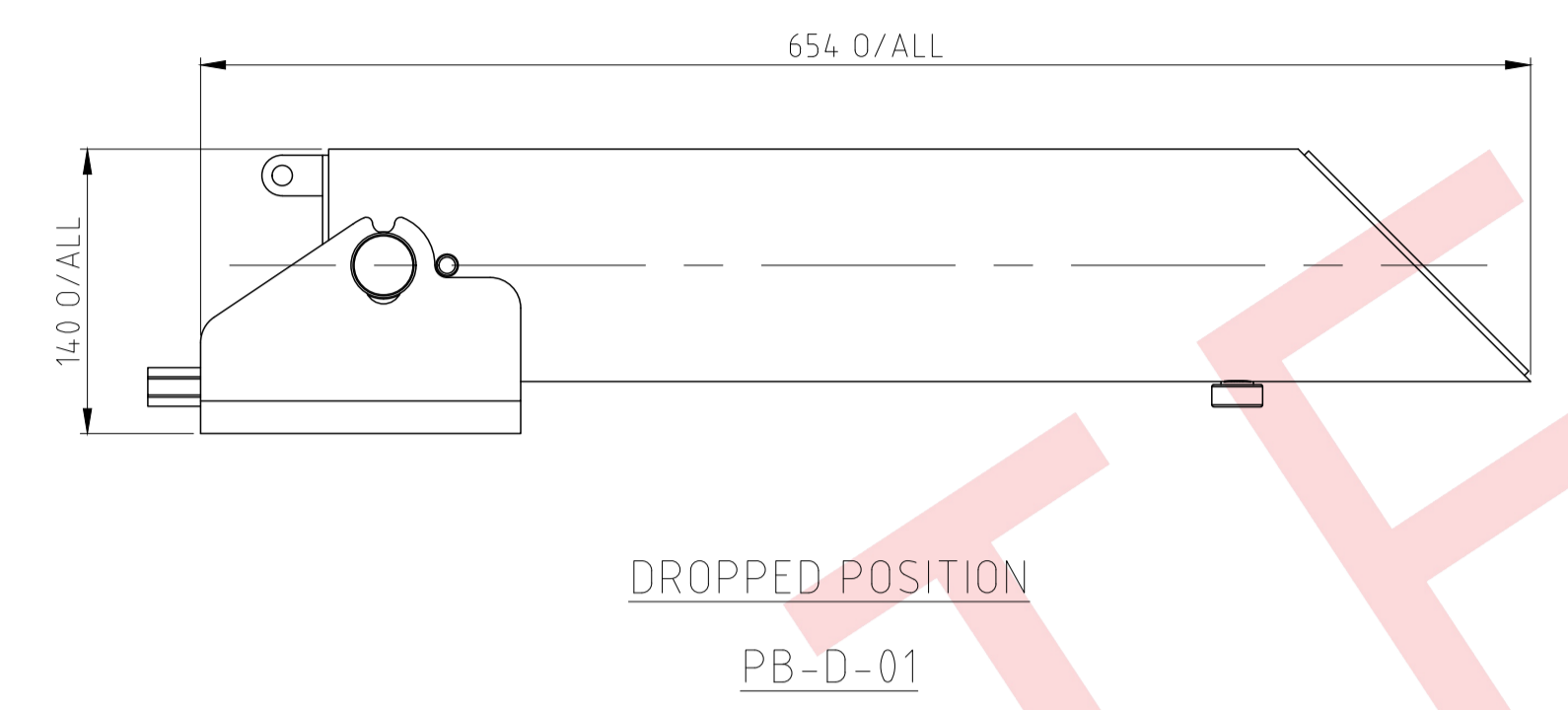
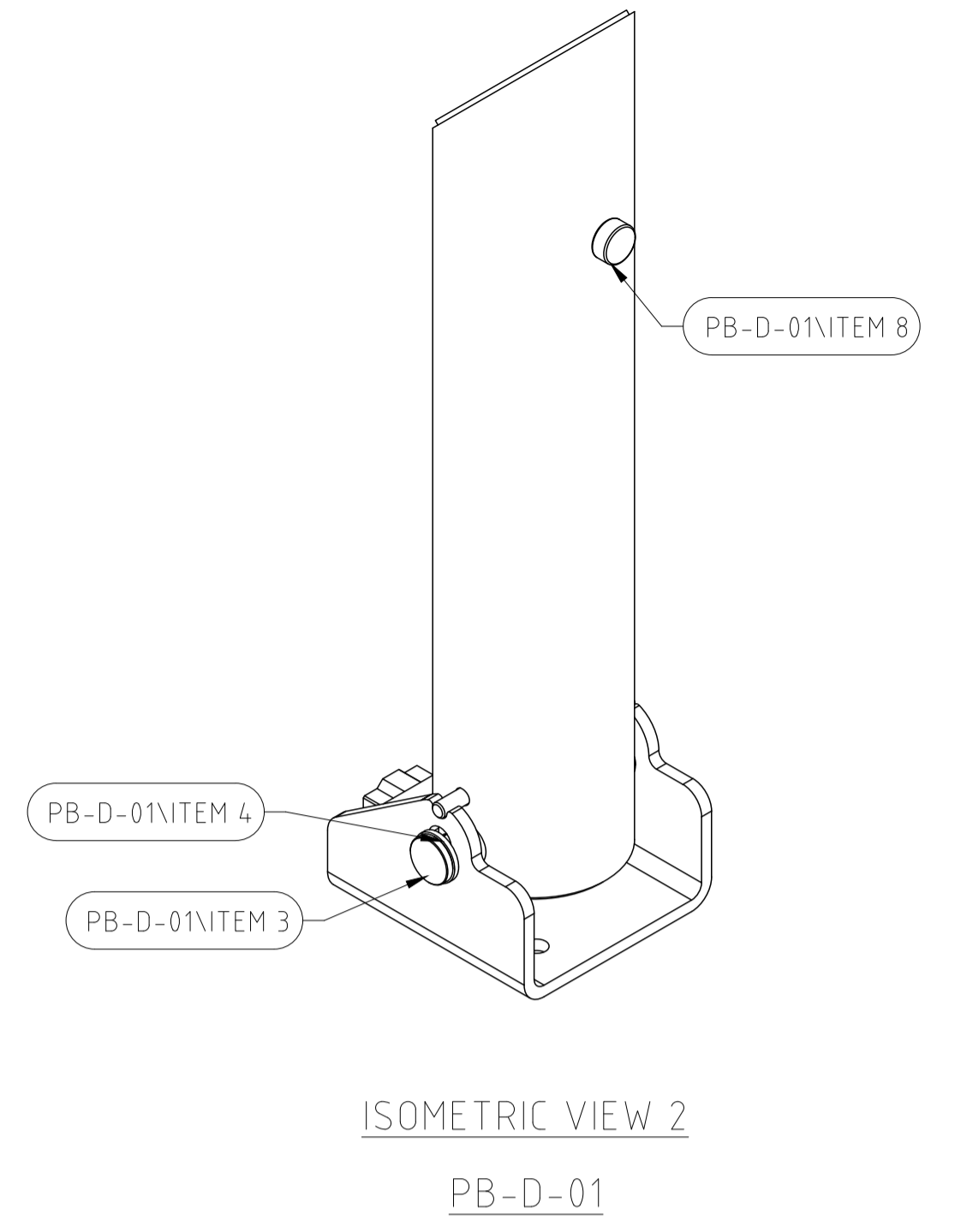
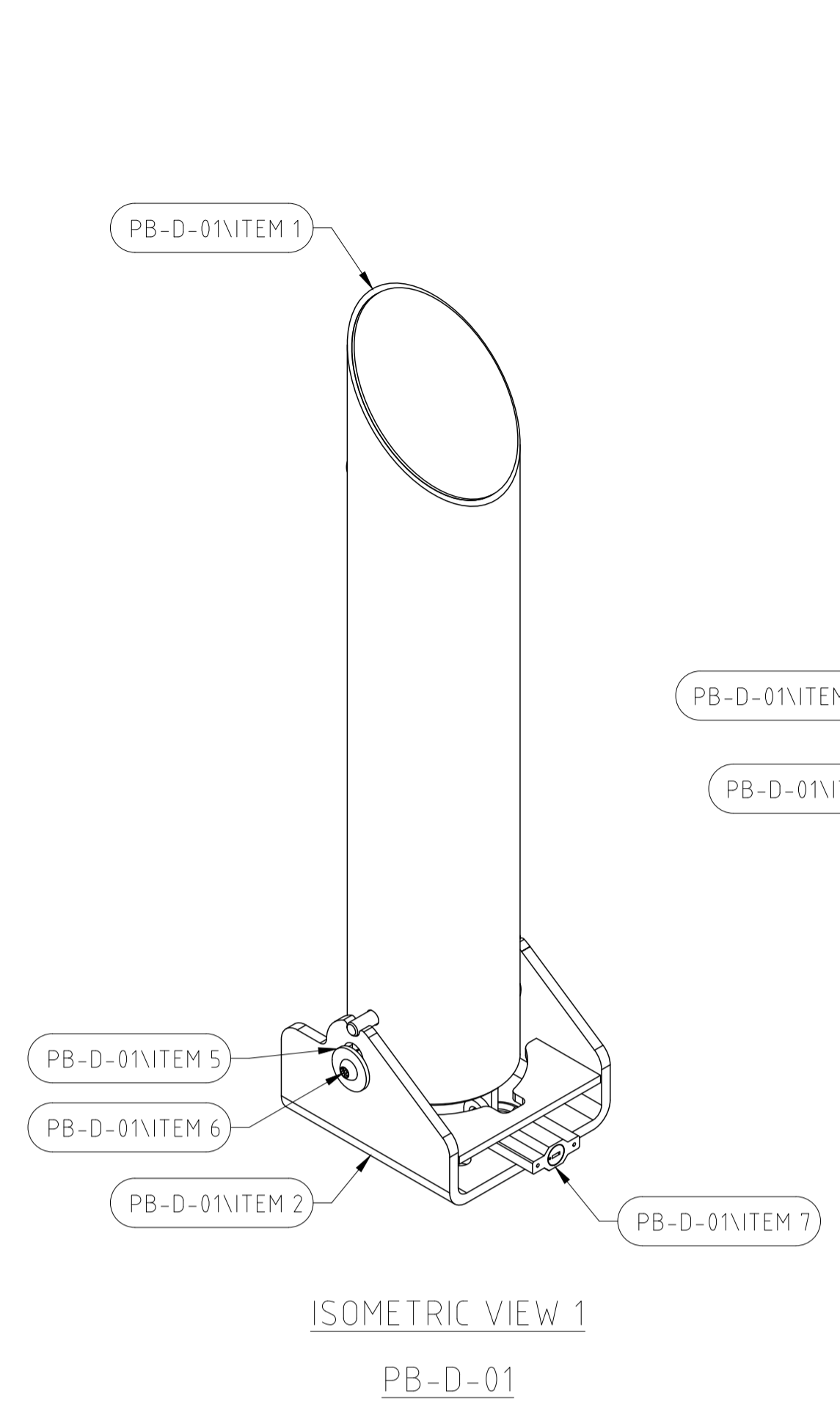


ESTIMATED MASS: 9.00 kg

| PARTS LIST | | |
|----------------|-----|---------------------------|
| ITEM | QTY | DESCRIPTION |
| PB-D-01\ITEM 1 | 1 | BARRIER WELDED ASSEMBLY 1 |
| PB-D-01\ITEM 2 | 1 | BARRIER WELDED ASSEMBLY 2 |
| PB-D-01\ITEM 3 | 1 | SHAFT |
| PB-D-01\ITEM 4 | 1 | WASHER 1 |
| PB-D-01\ITEM 5 | 1 | WASHER 2 |
| PB-D-01\ITEM 6 | 1 | M8 TAMPER PROOF BOLT |
| PB-D-01\ITEM 7 | 1 | PADLOCK |
| PB-D-01\ITEM 8 | 1 | BONDED BUFFER |



GENERAL NOTES

1. ALL DIMENSIONS IN mm, U.O.N.
2. STRUCTURAL STEEL IS IN ACCORDANCE WITH GENERAL SPECIFICATION REF. SANS 10162.
3. FOR ALL OTHER NOTES PLEASE REFER TO THE USER MANUAL.

| REFERENCE DRAWINGS | | REVISION TABLE | | | |
|--------------------|-------------|----------------|------------|----------------------|-----|
| DRAWING NUMBER | DESCRIPTION | REV | DATE | DESCRIPTION | BY |
| | | 0 | 11/06/2025 | FOR INFORMATION ONLY | T.K |
| | | | | | |
| | | | | | |
| | | | | | |
| | | | | | |

THIS DRAWING IS THE PROPERTY OF CREATE AND MAY NOT BE COPIED OR REPRODUCED EITHER IN WHOLLY OR IN PART WITHOUT THE WRITTEN PERMISSION OF THE ABOVEMENTIONED COMPANY.



Cell: +27 60 890 8171
Email: create@jadengineering.co.za

| | | |
|---|----------|----|
| ITEM PB-D-01 PARKING BARRIER DROP IDENTIFICATION DRAWING ASSEMBLY | | |
| DRAWING NUMBER CRT-PB-D-01-I-R0 | | |
| SHEET 1 OF 1 | REV 0 | A1 |
| PROJECTION | | |
| DRAWN BY: | T.K | |
| CHECKED BY: | P.H | |
| SCALE: | NTS | |