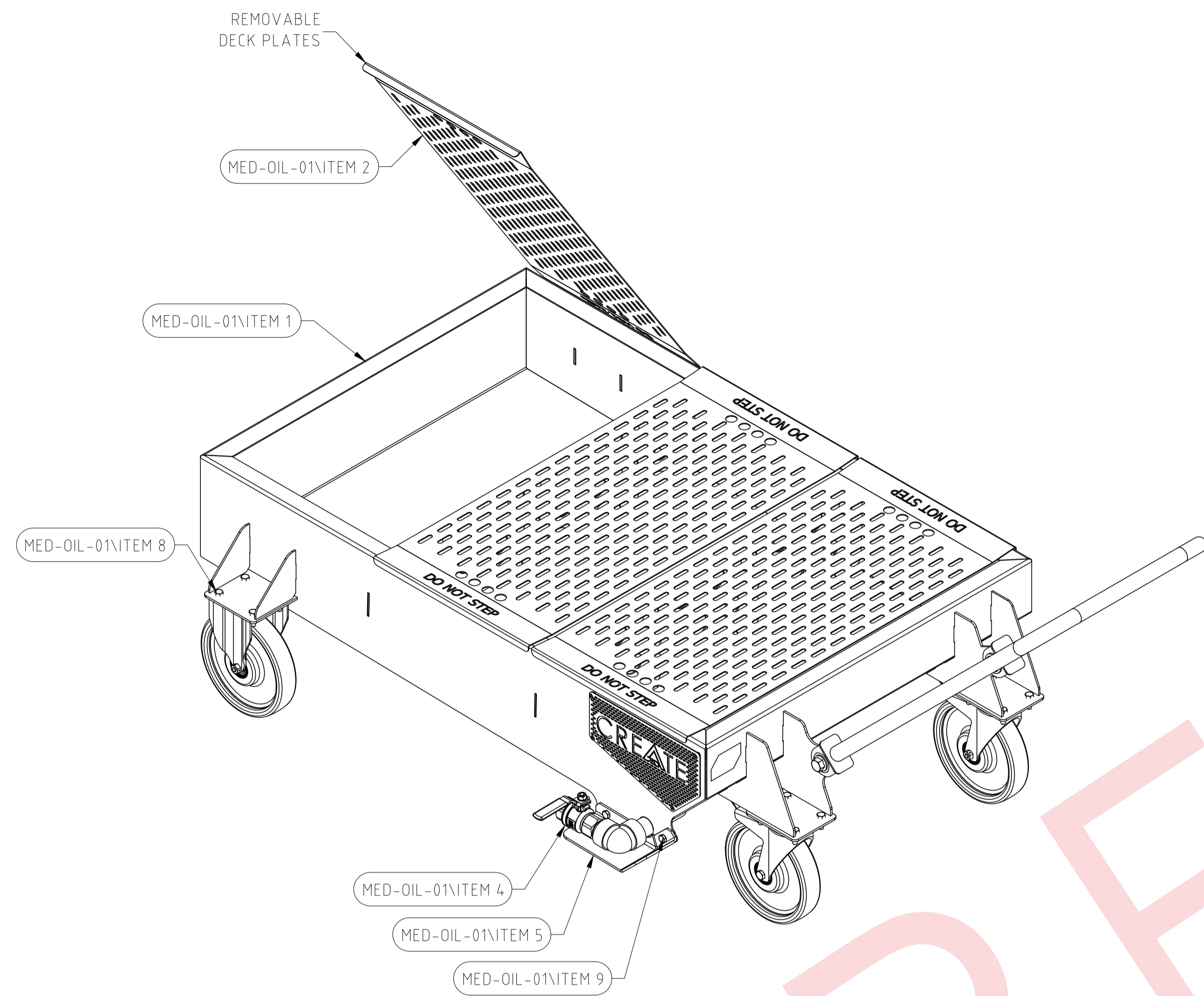
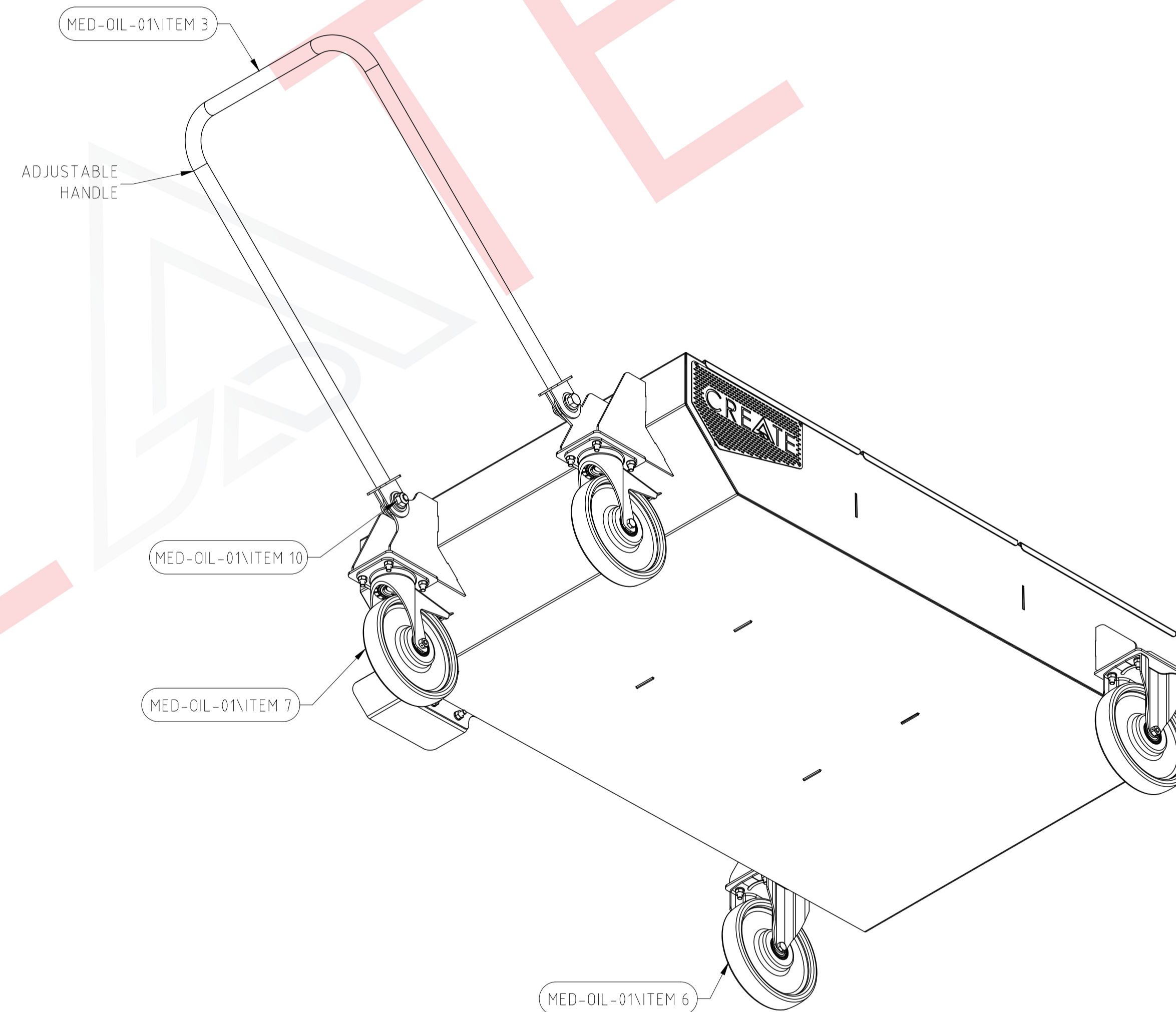


ESTIMATED MASS: 159.00 kg

PARTS LIST		
ITEM	QTY	DESCRIPTION
MED-OIL-01\ITEM 1	1	TROLLEY BODY
MED-OIL-01\ITEM 2	3	DECK PLATES
MED-OIL-01\ITEM 3	1	TROLLEY HANDLE
MED-OIL-01\ITEM 4	1	DRAIN VALVE
MED-OIL-01\ITEM 5	1	DRAIN VALVE GUARD
MED-OIL-01\ITEM 6	2	Ø250 FIXED CASTOR
MED-OIL-01\ITEM 7	2	Ø250 SWIVEL CASTOR
MED-OIL-01\ITEM 8	16	M10 x 30mm LNG BOLT ASSEMBLY
MED-OIL-01\ITEM 9	3	M10 x 25mm LNG BOLT ASSEMBLY
MED-OIL-01\ITEM 10	2	M20 x 50mm LNG BOLT ASSEMBLY



ISOMETRIC VIEW 1
MED-OIL-01



ISOMETRIC VIEW 2
MED-OIL-01

GENERAL NOTES

1. ALL DIMENSIONS IN mm, U.O.N.
2. STRUCTURAL STEEL IS IN ACCORDANCE WITH GENERAL SPECIFICATION REF. SANS 10162.
3. FOR ALL OTHER NOTES PLEASE REFER TO THE USER MANUAL.

REFERENCE DRAWINGS		REVISION TABLE			
DRAWING NUMBER	DESCRIPTION	REV	DATE	DESCRIPTION	BY
CRT-MED-OIL-01-I-RO SHEET 2 OF 2	ASSEMBLY	0	16/01/2025	FOR INFORMATION ONLY	T.K

THIS DRAWING IS THE PROPERTY OF CREATE AND MAY NOT BE COPIED OR REPRODUCED EITHER IN WHOLLY OR IN PART WITHOUT THE WRITTEN PERMISSION OF THE ABOVEMENTIONED COMPANY.

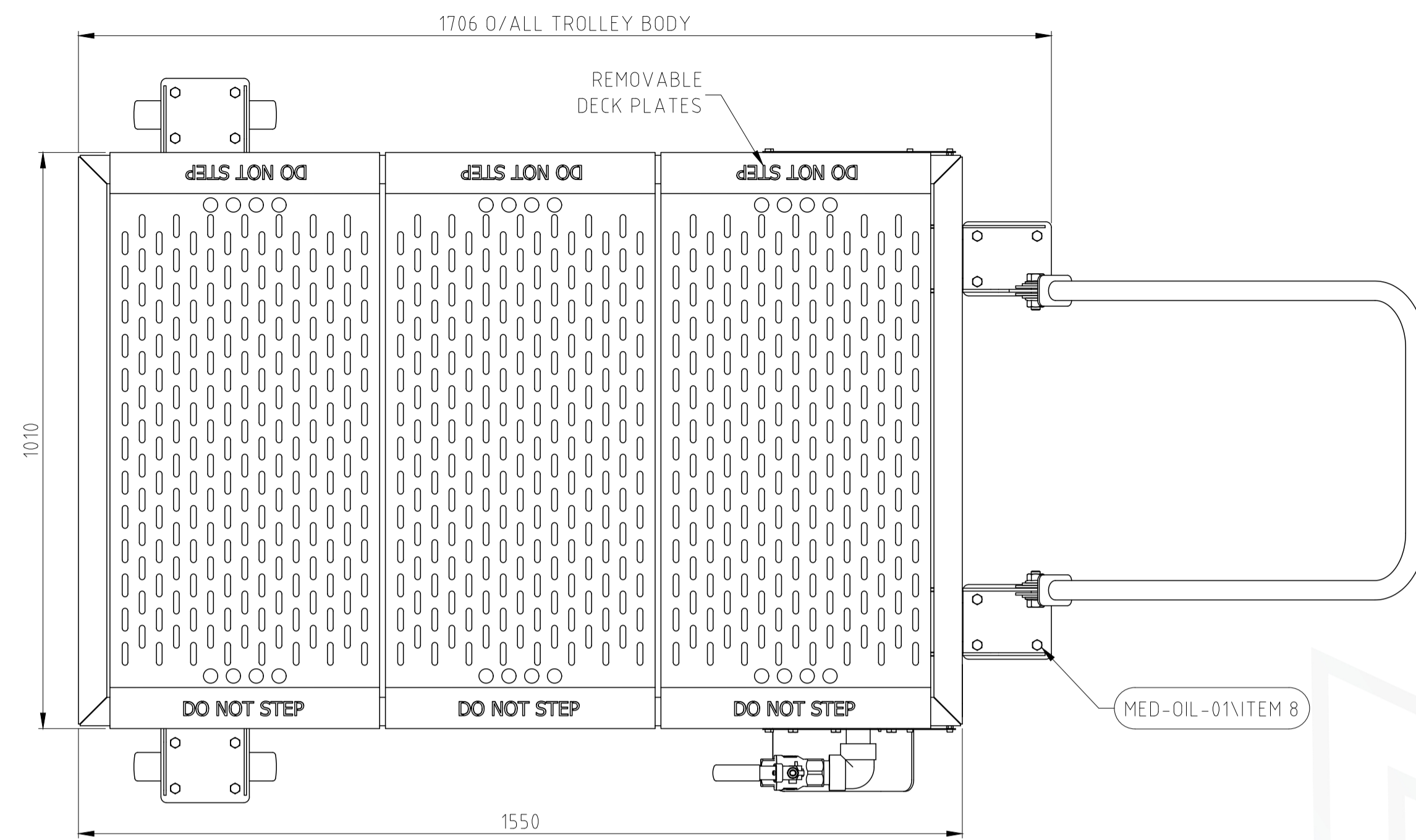


Cell: +27 60 890 8171
Email: create@jadengineering.co.za

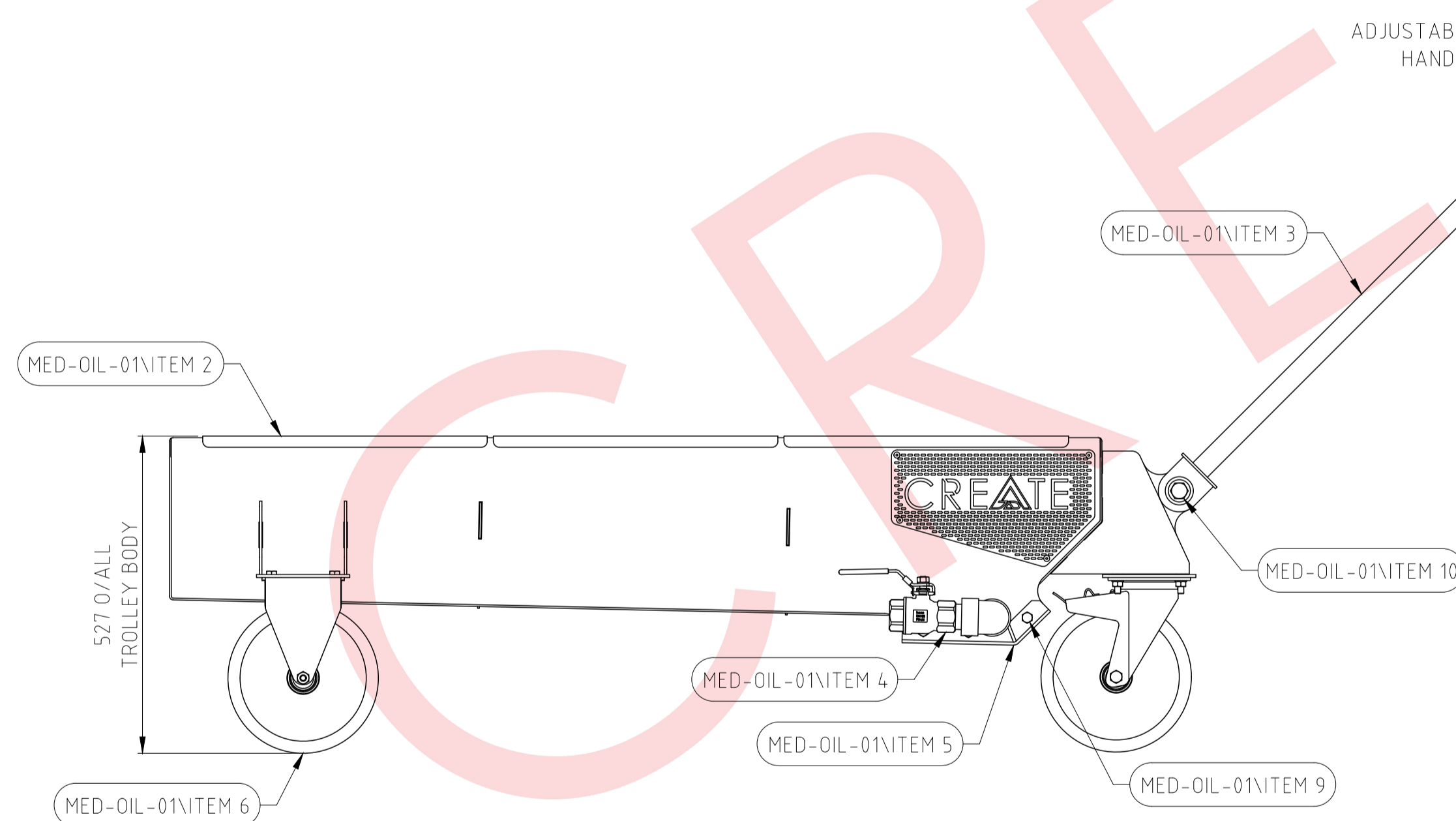
ITEM MED-OIL-01 OIL TROLLEY IDENTIFICATION DRAWING GENERAL ARRANGEMENT 400L CAPACITY		
DRAWING NUMBER CRT-MED-OIL-01-I-RO		
SHEET 1 OF 2	REV 0	A1
PROJECTION ⊕		
DRAWN BY:	T.K	
CHECKED BY:	P.H	
SCALE:	NTS	

ESTIMATED MASS: 159.00 kg

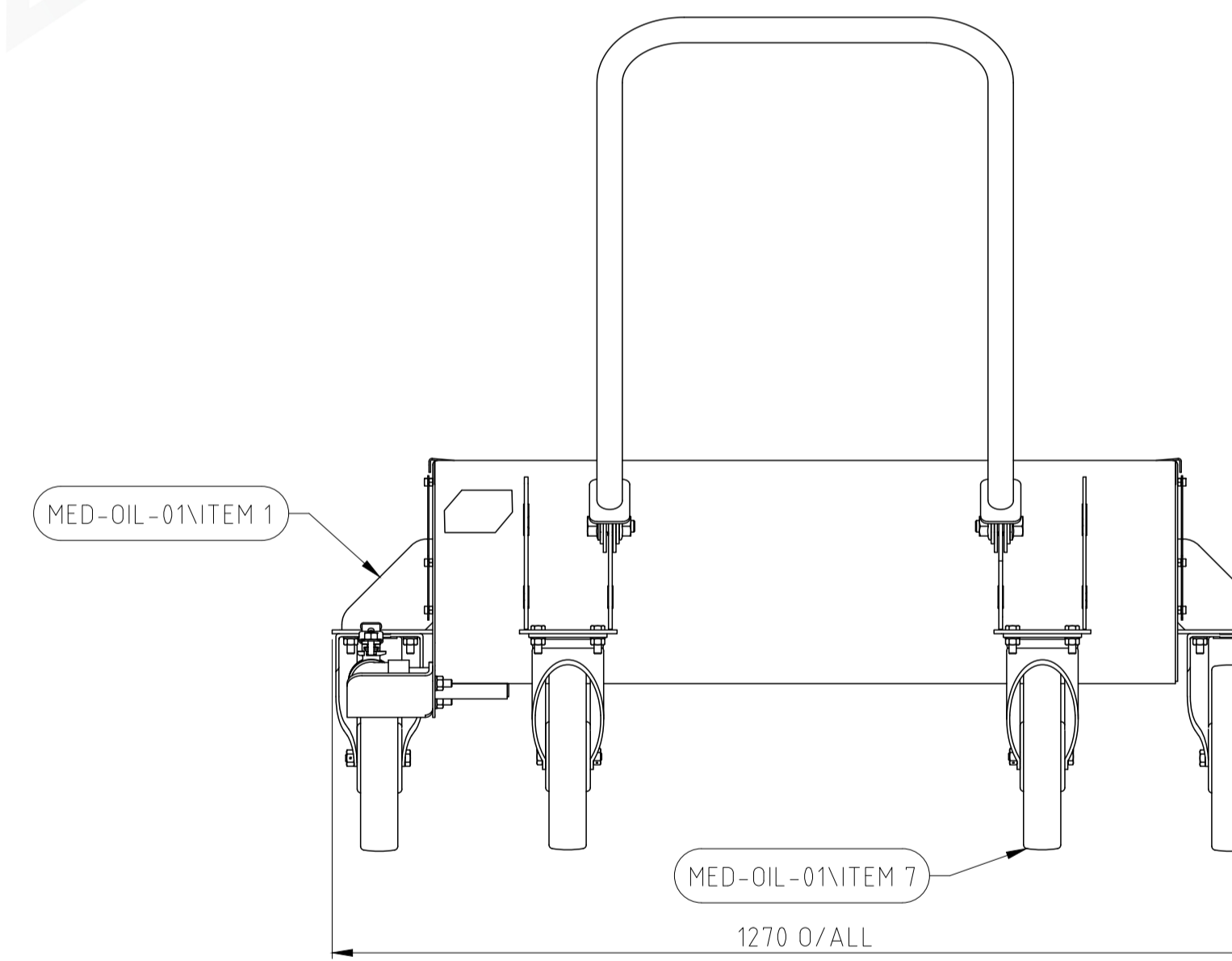
PARTS LIST		
ITEM	QTY	DESCRIPTION
MED-OIL-01\ITEM 1	1	TROLLEY BODY
MED-OIL-01\ITEM 2	3	DECK PLATES
MED-OIL-01\ITEM 3	1	TROLLEY HANDLE
MED-OIL-01\ITEM 4	1	DRAIN VALVE
MED-OIL-01\ITEM 5	1	DRAIN VALVE GUARD
MED-OIL-01\ITEM 6	2	Ø250 FIXED CASTOR
MED-OIL-01\ITEM 7	2	Ø250 SWIVEL CASTOR
MED-OIL-01\ITEM 8	16	M10 x 30mm LNG BOLT ASSEMBLY
MED-OIL-01\ITEM 9	3	M10 x 25mm LNG BOLT ASSEMBLY
MED-OIL-01\ITEM 10	2	M20 x 50mm LNG BOLT ASSEMBLY



TOP VIEW



FRONT VIEW
MED-OIL-01



RIGHT VIEW

GENERAL NOTES

1. ALL DIMENSIONS IN mm, U.O.N.
2. STRUCTURAL STEEL IS IN ACCORDANCE WITH GENERAL SPECIFICATION REF. SANS 10162.
3. FOR ALL OTHER NOTES PLEASE REFER TO THE USER MANUAL.

REFERENCE DRAWINGS

DRAWING NUMBER	DESCRIPTION
CRT-MED-OIL-01-I-RO SHEET 1 OF 2	GENERAL ARRANGEMENT

REVISION TABLE

REV	DATE	DESCRIPTION	BY
0	16/01/2025	FOR INFORMATION ONLY	T.K

THIS DRAWING IS THE PROPERTY OF CREATE AND MAY NOT BE COPIED OR REPRODUCED EITHER IN WHOLLY OR IN PART WITHOUT THE WRITTEN PERMISSION OF THE ABOVEMENTIONED COMPANY.



Cell: +27 60 890 8171
Email: create@jadengineering.co.za

ITEM
MED-OIL-01 OIL TROLLEY
IDENTIFICATION DRAWING
ASSEMBLY
400L CAPACITY

DRAWING NUMBER
CRT-MED-OIL-01-I-RO

SHEET	REV	A1
2 OF 2	0	

PROJECTION

DRAWN BY:	T.K
CHECKED BY:	P.H
SCALE:	NTS