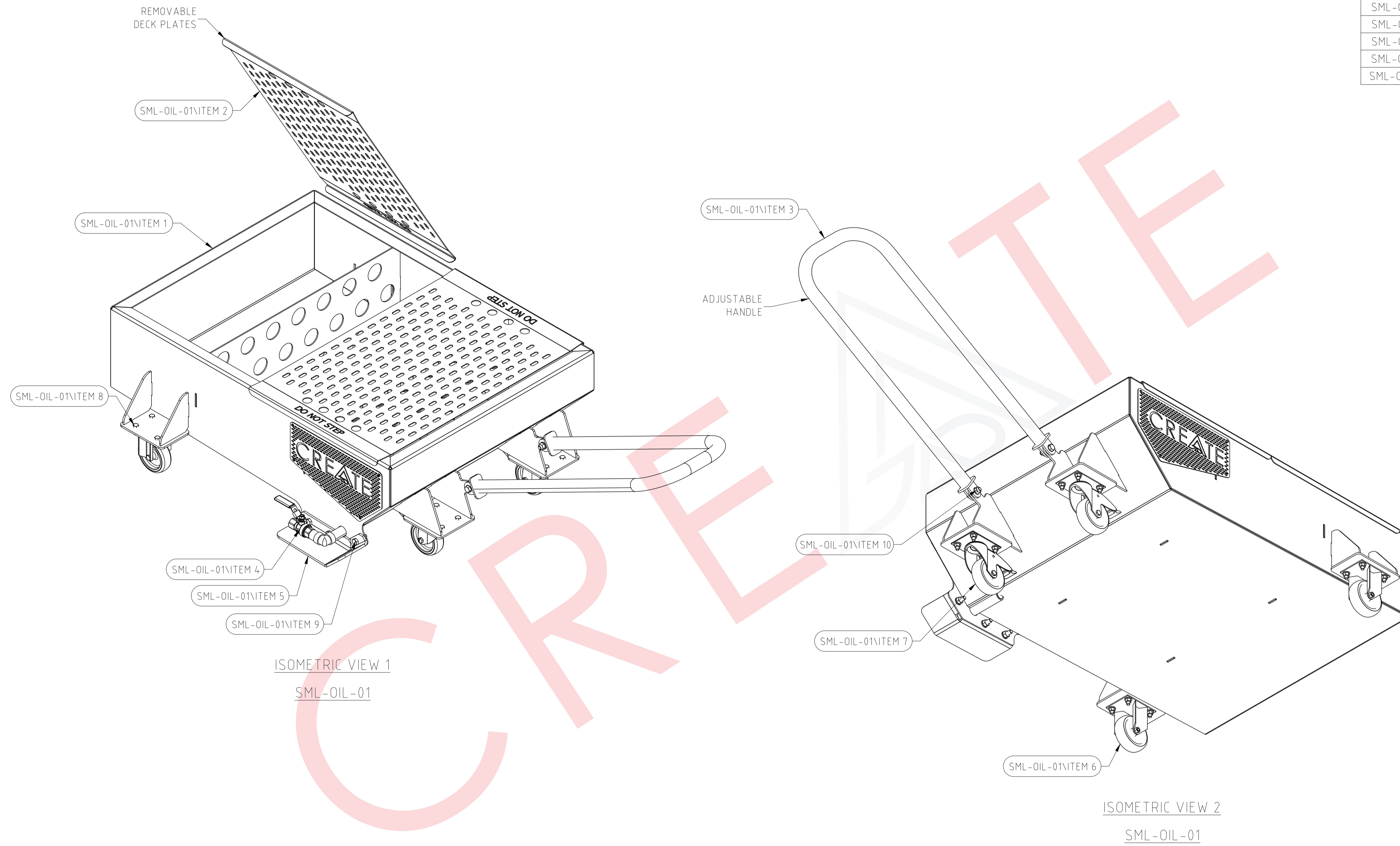


ESTIMATED MASS: 77.00 kg

PARTS LIST		
ITEM	QTY	DESCRIPTION
SML-OIL-01\ITEM 1	1	TROLLEY BODY
SML-OIL-01\ITEM 2	2	DECK PLATES
SML-OIL-01\ITEM 3	1	TROLLEY HANDLE
SML-OIL-01\ITEM 4	1	DRAIN VALVE
SML-OIL-01\ITEM 5	1	DRAIN VALVE GUARD
SML-OIL-01\ITEM 6	2	Ø100 FIXED CASTOR
SML-OIL-01\ITEM 7	2	Ø100 SWIVEL CASTOR
SML-OIL-01\ITEM 8	16	M8 x 25mm LNG BOLT ASSEMBLY
SML-OIL-01\ITEM 9	3	M10 x 30mm LNG BOLT ASSEMBLY
SML-OIL-01\ITEM 10	2	M10 x 35mm LNG BOLT ASSEMBLY



ISOMETRIC VIEW 1  
SML-OIL-01

ISOMETRIC VIEW 2  
SML-OIL-01

**GENERAL NOTES**

1. ALL DIMENSIONS IN mm, U.O.N.
2. STRUCTURAL STEEL IS IN ACCORDANCE WITH GENERAL SPECIFICATION REF. SANS 10162.
3. FOR ALL OTHER NOTES PLEASE REFER TO THE USER MANUAL.

REFERENCE DRAWINGS		REVISION TABLE			
DRAWING NUMBER	DESCRIPTION	REV	DATE	DESCRIPTION	BY
CRT-SML-OIL-01-I-RO SHEET 2 OF 2	ASSEMBLY	0	05/05/2025	FOR INFORMATION ONLY	T.K

THIS DRAWING IS THE PROPERTY OF CREATE AND MAY NOT BE COPIED OR REPRODUCED EITHER IN WHOLLY OR IN PART WITHOUT THE WRITTEN PERMISSION OF THE ABOVEMENTIONED COMPANY.

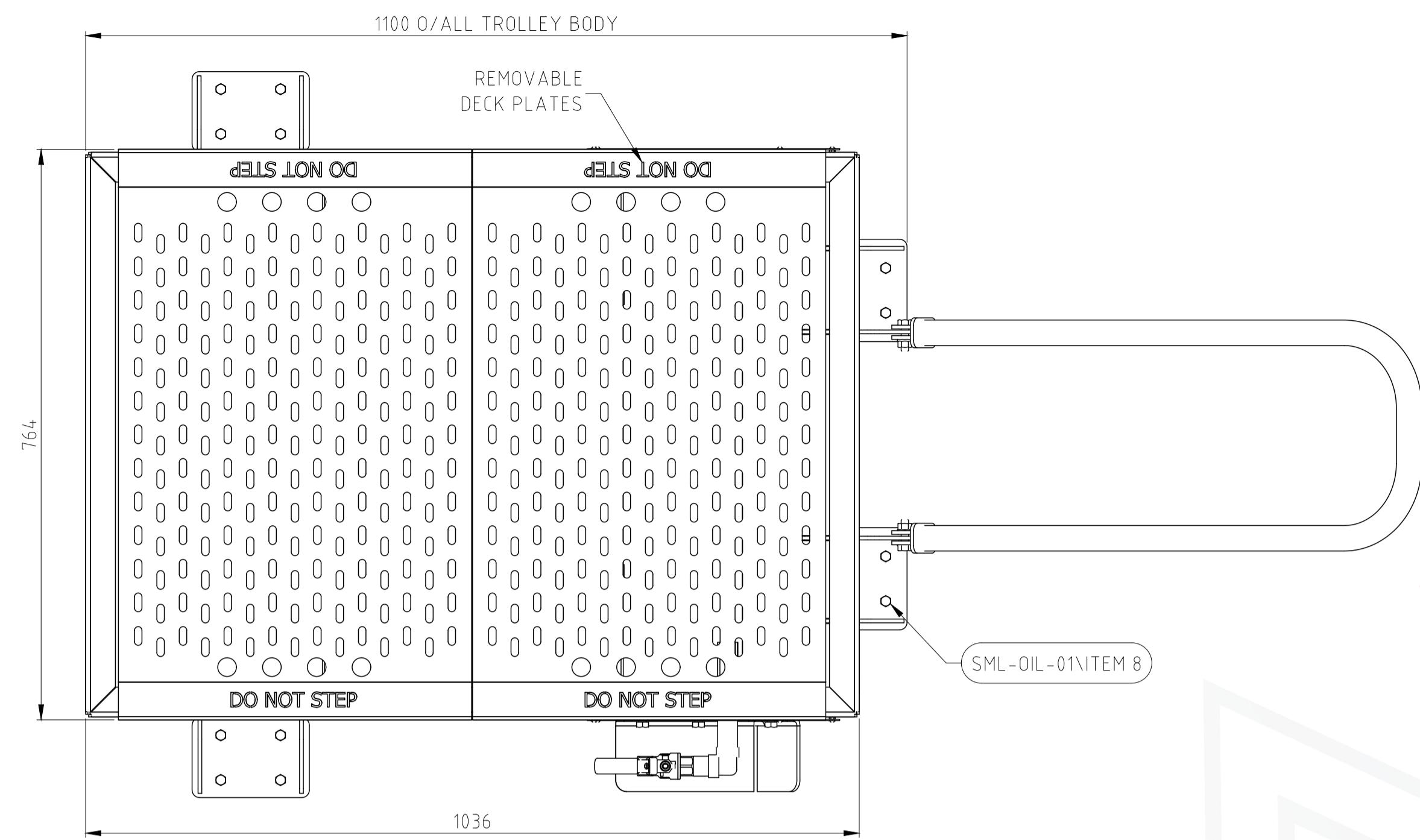


Cell: +27 60 890 8171  
Email: create@jadengineering.co.za

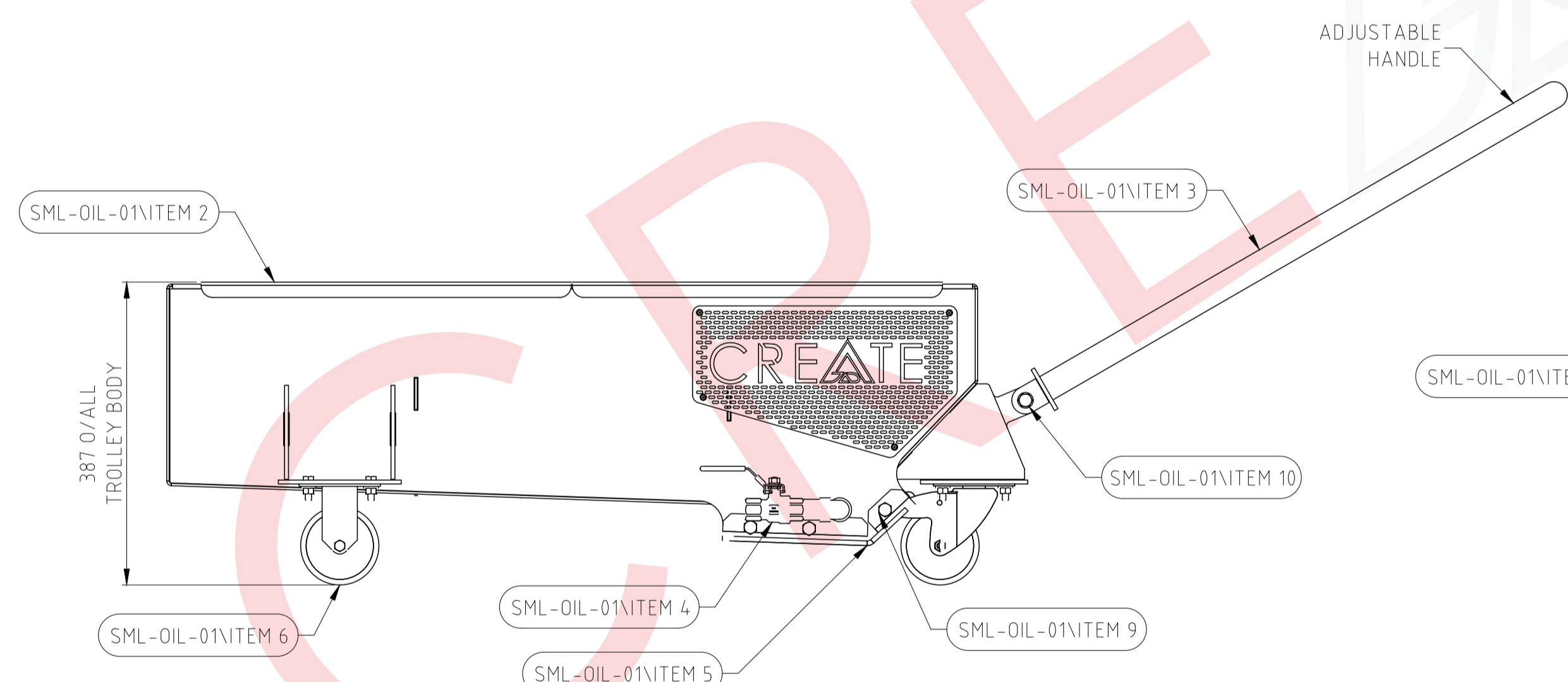
ITEM		
SML-OIL-01 OIL TROLLEY IDENTIFICATION DRAWING GENERAL ARRANGEMENT 200L CAPACITY		
DRAWING NUMBER		
CRT-SML-OIL-01-I-RO		
SHEET	REV	A1
1 OF 2	0	
PROJECTION		
DRAWN BY:	T.K	
CHECKED BY:	P.H	
SCALE:	NTS	

ESTIMATED MASS: 77.00 kg

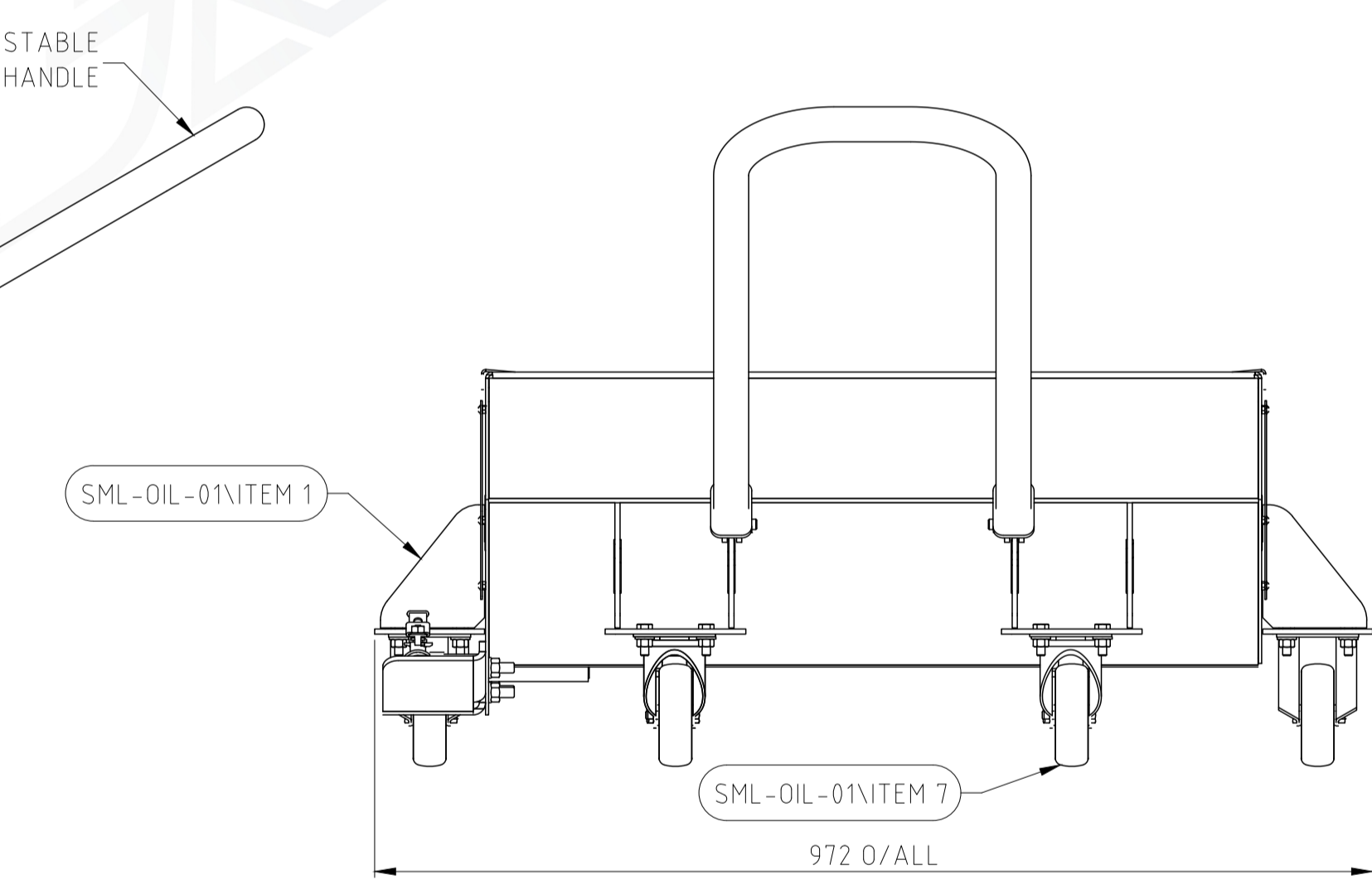
PARTS LIST		
ITEM	QTY	DESCRIPTION
SML-OIL-01\ITEM 1	1	TROLLEY BODY
SML-OIL-01\ITEM 2	2	DECK PLATES
SML-OIL-01\ITEM 3	1	TROLLEY HANDLE
SML-OIL-01\ITEM 4	1	DRAIN VALVE
SML-OIL-01\ITEM 5	1	DRAIN VALVE GUARD
SML-OIL-01\ITEM 6	2	Ø100 FIXED CASTOR
SML-OIL-01\ITEM 7	2	Ø100 SWIVEL CASTOR
SML-OIL-01\ITEM 8	16	M8 x 25mm LNG BOLT ASSEMBLY
SML-OIL-01\ITEM 9	3	M10 x 30mm LNG BOLT ASSEMBLY
SML-OIL-01\ITEM 10	2	M10 x 35mm LNG BOLT ASSEMBLY



TOP VIEW



FRONT VIEW  
SML-OIL-01



RIGHT VIEW

**GENERAL NOTES**

1. ALL DIMENSIONS IN mm, U.O.N.
2. STRUCTURAL STEEL IS IN ACCORDANCE WITH GENERAL SPECIFICATION REF. SANS 10162.
3. FOR ALL OTHER NOTES PLEASE REFER TO THE USER MANUAL.

REFERENCE DRAWINGS		REVISION TABLE			
DRAWING NUMBER	DESCRIPTION	REV	DATE	DESCRIPTION	BY
CRT-SML-OIL-01-I-RO SHEET 1 OF 2	GENERAL ARRANGEMENT	0	05/05/2025	FOR INFORMATION ONLY	T.K

THIS DRAWING IS THE PROPERTY OF CREATE AND MAY NOT BE COPIED OR REPRODUCED EITHER IN WHOLLY OR IN PART WITHOUT THE WRITTEN PERMISSION OF THE ABOVEMENTIONED COMPANY.



Cell: +27 60 890 8171  
Email: create@jadengineering.co.za

ITEM SML-OIL-01 OIL TROLLEY IDENTIFICATION DRAWING ASSEMBLY 200L CAPACITY		
DRAWING NUMBER CRT-SML-OIL-01-I-RO		
SHEET 2 OF 2	REV 0	A1
PROJECTION ⊕		
DRAWN BY:	T.K	
CHECKED BY:	P.H	
SCALE:	NTS	