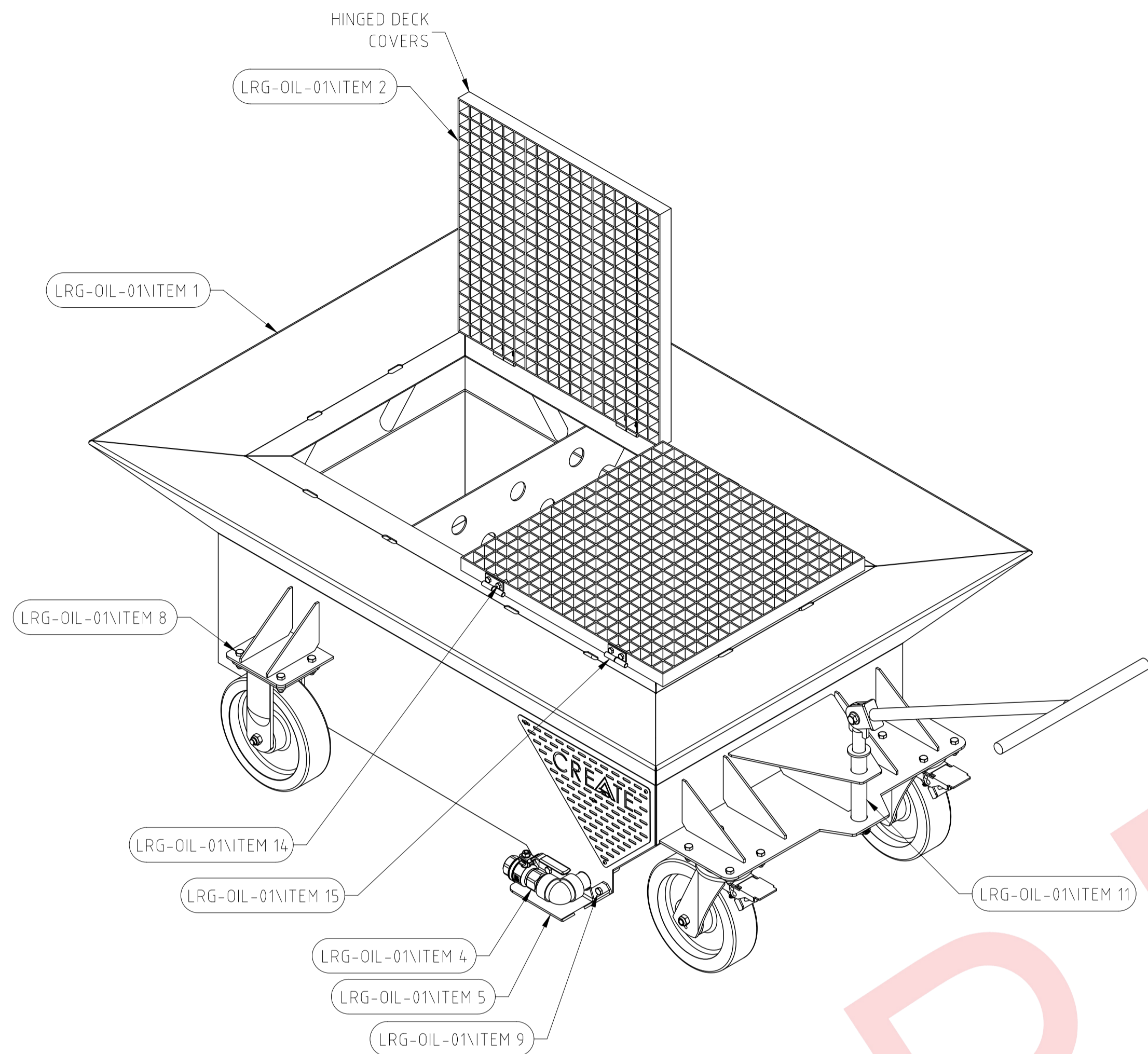
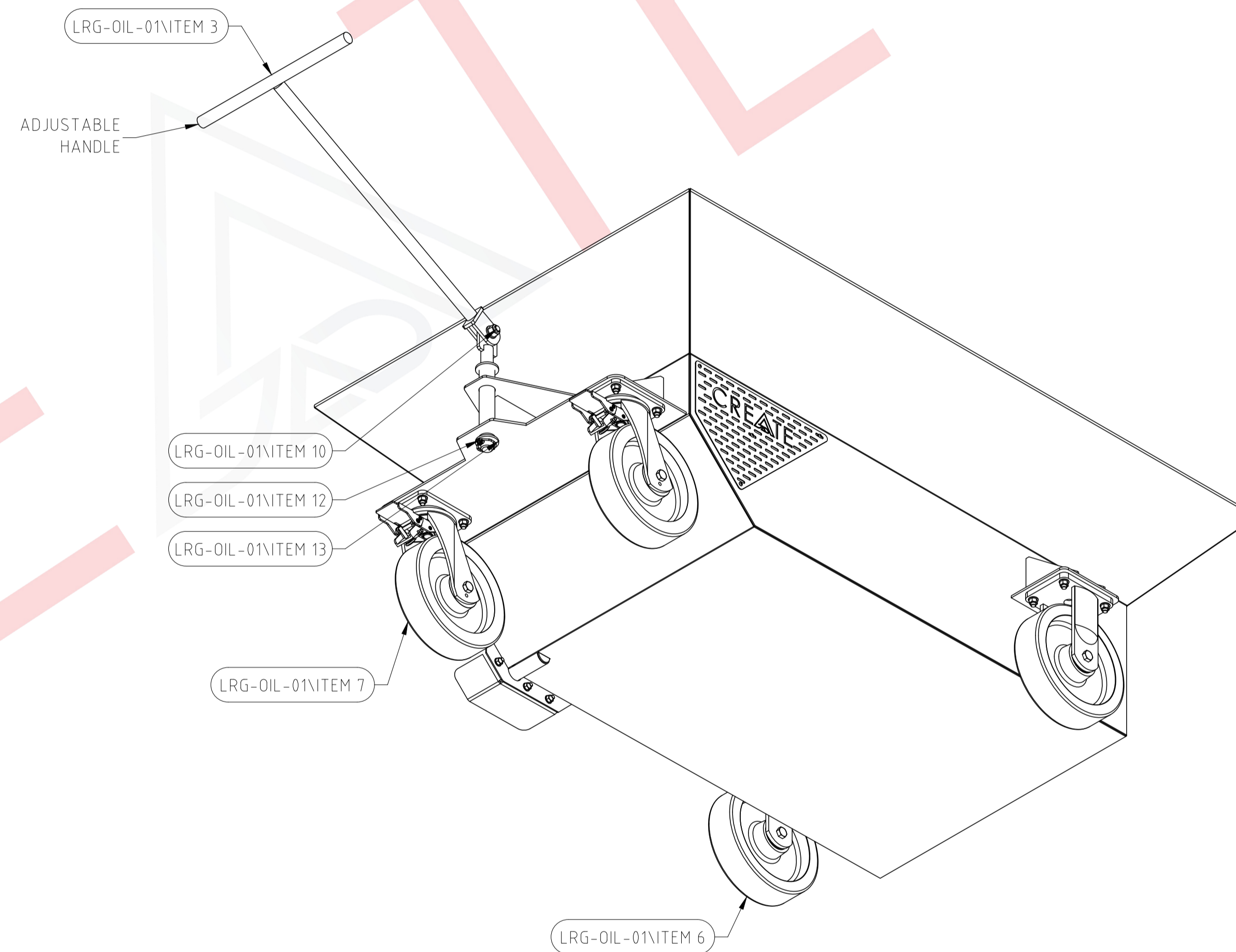


ESTIMATED MASS: 284.00 kg

PARTS LIST		
ITEM	QTY	DESCRIPTION
LRG-OIL-01\ITEM 1	1	TROLLEY BODY
LRG-OIL-01\ITEM 2	2	DECK GRATING
LRG-OIL-01\ITEM 3	1	TROLLEY HANDLE
LRG-OIL-01\ITEM 4	1	DRAIN VALVE
LRG-OIL-01\ITEM 5	1	DRAIN VALVE GUARD
LRG-OIL-01\ITEM 6	2	Ø300 FIXED CASTOR
LRG-OIL-01\ITEM 7	2	Ø300 SWIVEL CASTOR
LRG-OIL-01\ITEM 8	16	M12 x 40mm LNG BOLT ASSEMBLY
LRG-OIL-01\ITEM 9	3	M10 x 25mm LNG BOLT ASSEMBLY
LRG-OIL-01\ITEM 10	1	M16 x 50mm LNG BOLT ASSEMBLY
LRG-OIL-01\ITEM 11	1	HANDLE SHAFT
LRG-OIL-01\ITEM 12	1	Ø5.5 LINCHPIN
LRG-OIL-01\ITEM 13	1	WASHER
LRG-OIL-01\ITEM 14	8	M8 x 25mm LNG BOLT ASSEMBLY
LRG-OIL-01\ITEM 15	4	HINGE



ISOMETRIC VIEW 1
LRG-OIL-01



ISOMETRIC VIEW 2
LRG-OIL-01

GENERAL NOTES

1. ALL DIMENSIONS IN mm, U.O.N.
2. STRUCTURAL STEEL IS IN ACCORDANCE WITH GENERAL SPECIFICATION REF. SANS 10162.
3. FOR ALL OTHER NOTES PLEASE REFER TO THE USER MANUAL.

REFERENCE DRAWINGS		REVISION TABLE			
DRAWING NUMBER	DESCRIPTION	REV	DATE	DESCRIPTION	BY
CRT-LRG-OIL-01-I-RO SHEET 2 OF 2	ASSEMBLY	0	22/05/2025	FOR INFORMATION ONLY	T.K

THIS DRAWING IS THE PROPERTY OF CREATE AND MAY NOT BE COPIED OR REPRODUCED EITHER IN WHOLLY OR IN PART WITHOUT THE WRITTEN PERMISSION OF THE ABOVEMENTIONED COMPANY.

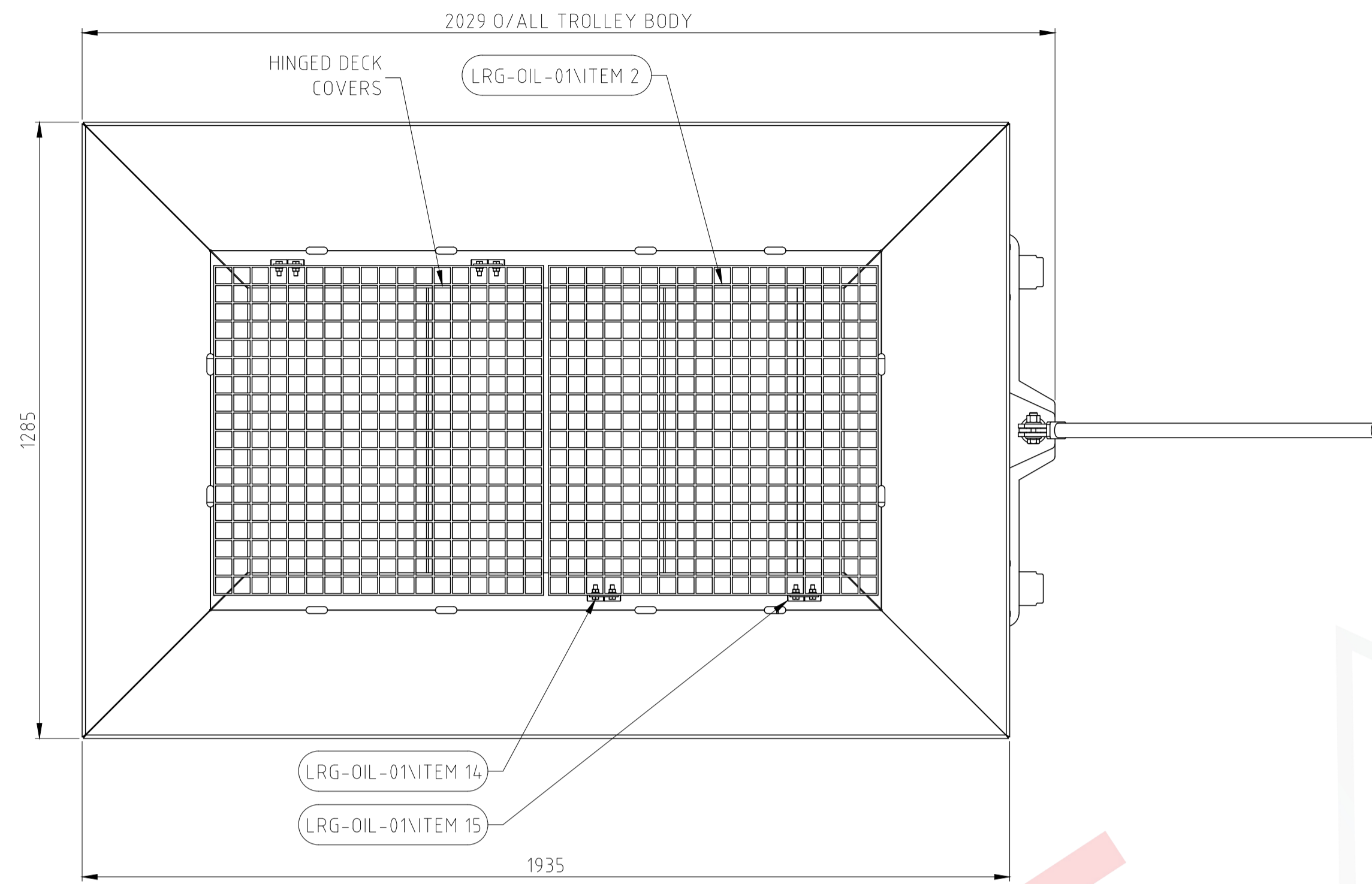


Cell: +27 60 890 8171
Email: create@jadengineering.co.za

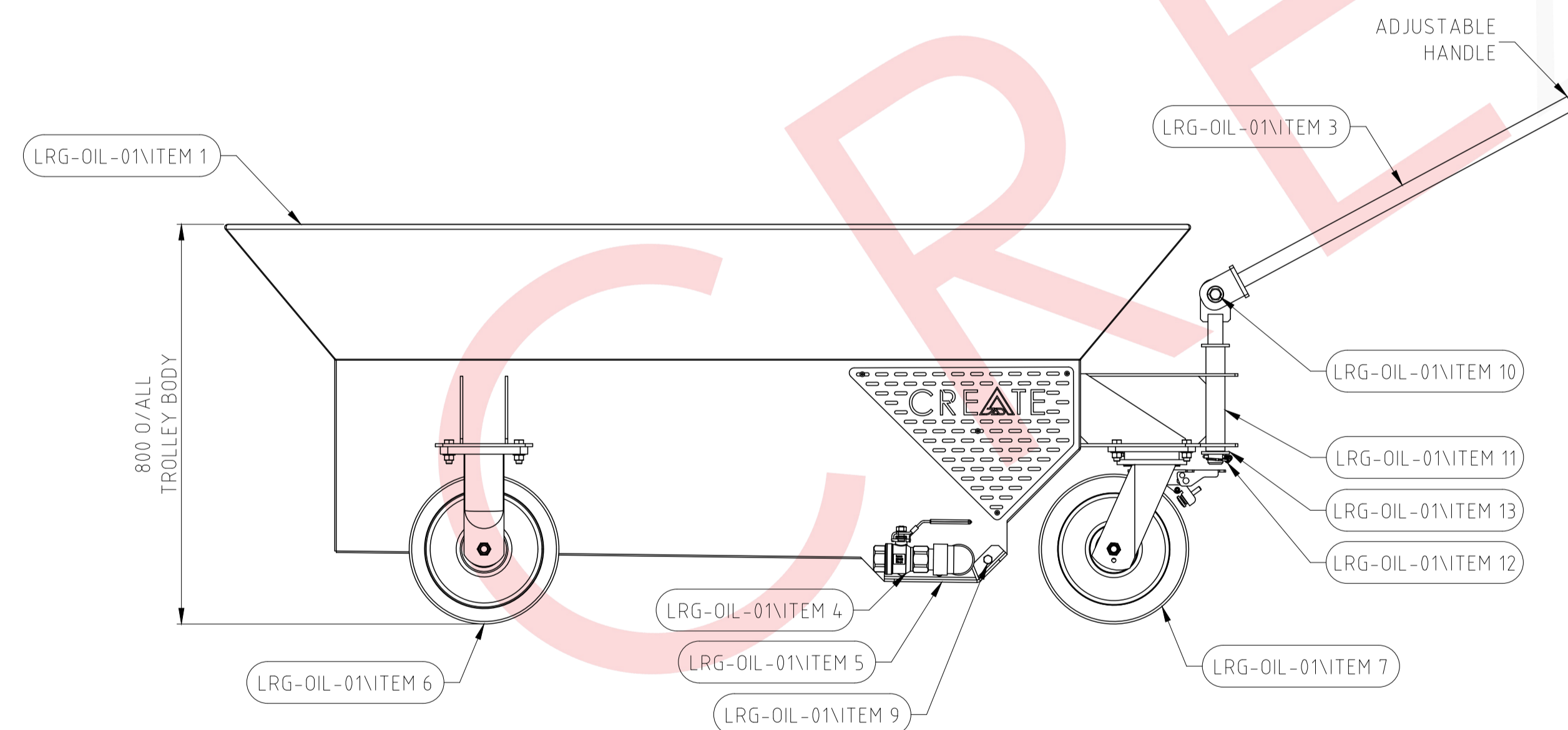
ITEM		
LRG-OIL-01 OIL TROLLEY IDENTIFICATION DRAWING GENERAL ARRANGEMENT 820L CAPACITY		
DRAWING NUMBER		
CRT-LRG-OIL-01-I-RO		
SHEET	REV	A1
1	0	2
PROJECTION		
DRAWN BY:	T.K	
CHECKED BY:	P.H	
SCALE:	NTS	

ESTIMATED MASS: 284.00 kg

PARTS LIST		
ITEM	QTY	DESCRIPTION
LRG-OIL-01\ITEM 1	1	TROLLEY BODY
LRG-OIL-01\ITEM 2	2	DECK GRATING
LRG-OIL-01\ITEM 3	1	TROLLEY HANDLE
LRG-OIL-01\ITEM 4	1	DRAIN VALVE
LRG-OIL-01\ITEM 5	1	DRAIN VALVE GUARD
LRG-OIL-01\ITEM 6	2	Ø300 FIXED CASTOR
LRG-OIL-01\ITEM 7	2	Ø300 SWIVEL CASTOR
LRG-OIL-01\ITEM 8	16	M12 x 40mm LNG BOLT ASSEMBLY
LRG-OIL-01\ITEM 9	3	M10 x 25mm LNG BOLT ASSEMBLY
LRG-OIL-01\ITEM 10	1	M16 x 50mm LNG BOLT ASSEMBLY
LRG-OIL-01\ITEM 11	1	HANDLE SHAFT
LRG-OIL-01\ITEM 12	1	Ø5.5 LINCHPIN
LRG-OIL-01\ITEM 13	1	WASHER
LRG-OIL-01\ITEM 14	8	M8 x 25mm LNG BOLT ASSEMBLY
LRG-OIL-01\ITEM 15	4	HINGE

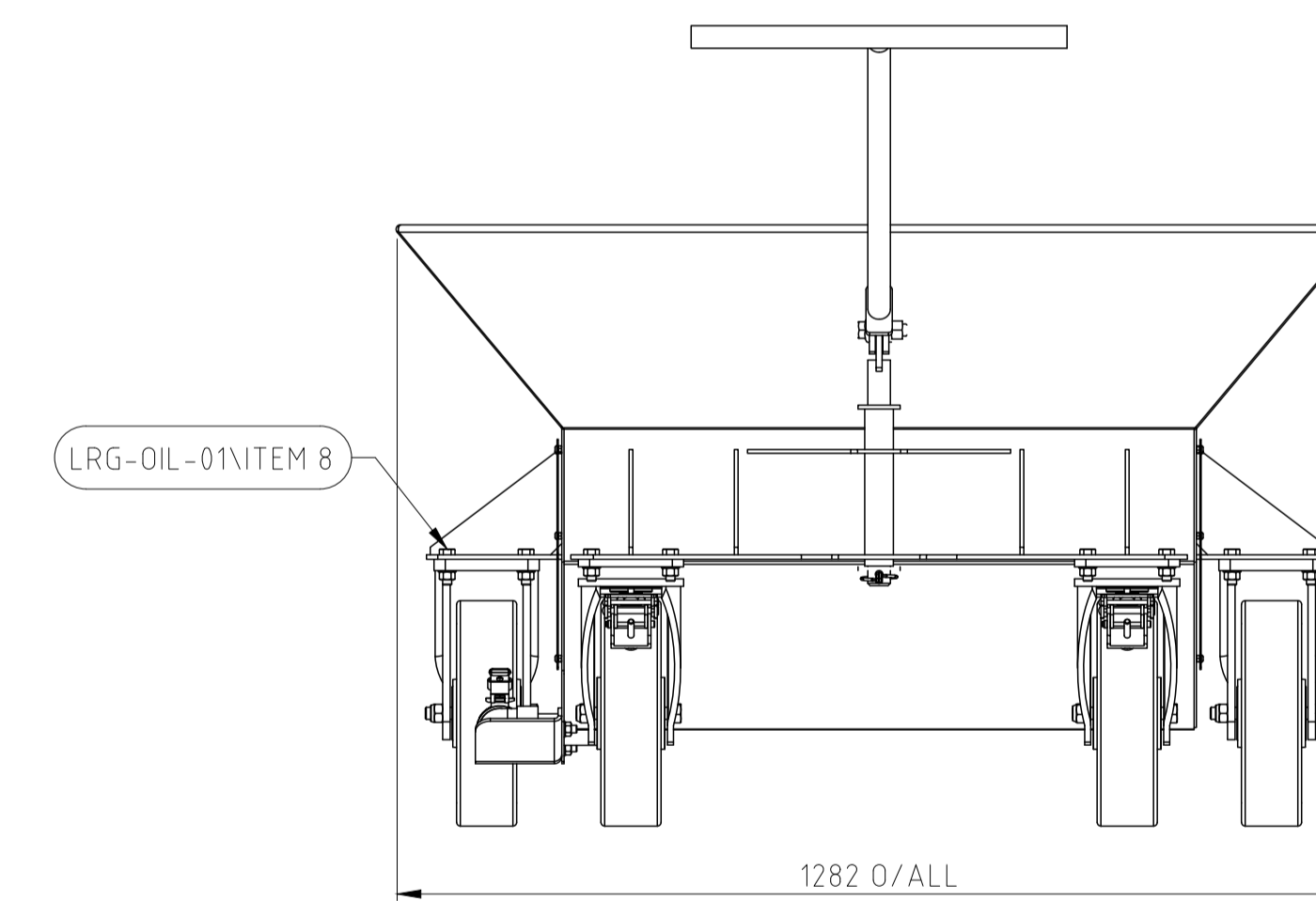


TOP VIEW



FRONT VIEW

LRG-OIL-01



RIGHT VIEW

GENERAL NOTES

1. ALL DIMENSIONS IN mm, U.O.N.
2. STRUCTURAL STEEL IS IN ACCORDANCE WITH GENERAL SPECIFICATION REF. SANS 10162.
3. FOR ALL OTHER NOTES PLEASE REFER TO THE USER MANUAL.

REFERENCE DRAWINGS

DRAWING NUMBER	DESCRIPTION
CRT-LRG-OIL-01-I-RO SHEET 1 OF 2	GENERAL ARRANGEMENT

REVISION TABLE

REV	DATE	DESCRIPTION	BY
0	22/05/2025	FOR INFORMATION ONLY	T.K

THIS DRAWING IS THE PROPERTY OF CREATE AND MAY NOT BE COPIED OR REPRODUCED EITHER IN WHOLLY OR IN PART WITHOUT THE WRITTEN PERMISSION OF THE ABOVEMENTIONED COMPANY.



Cell: +27 60 890 8171
Email: create@jadengineering.co.za

ITEM
LRG-OIL-01 OIL TROLLEY
IDENTIFICATION DRAWING
ASSEMBLY
820L CAPACITY

DRAWING NUMBER CRT-LRG-OIL-01-I-RO	
SHEET 2 OF 2	REV 0
PROJECTION First Angle	
DRAWN BY: T.K	CHECKED BY: P.H
SCALE: NTS	