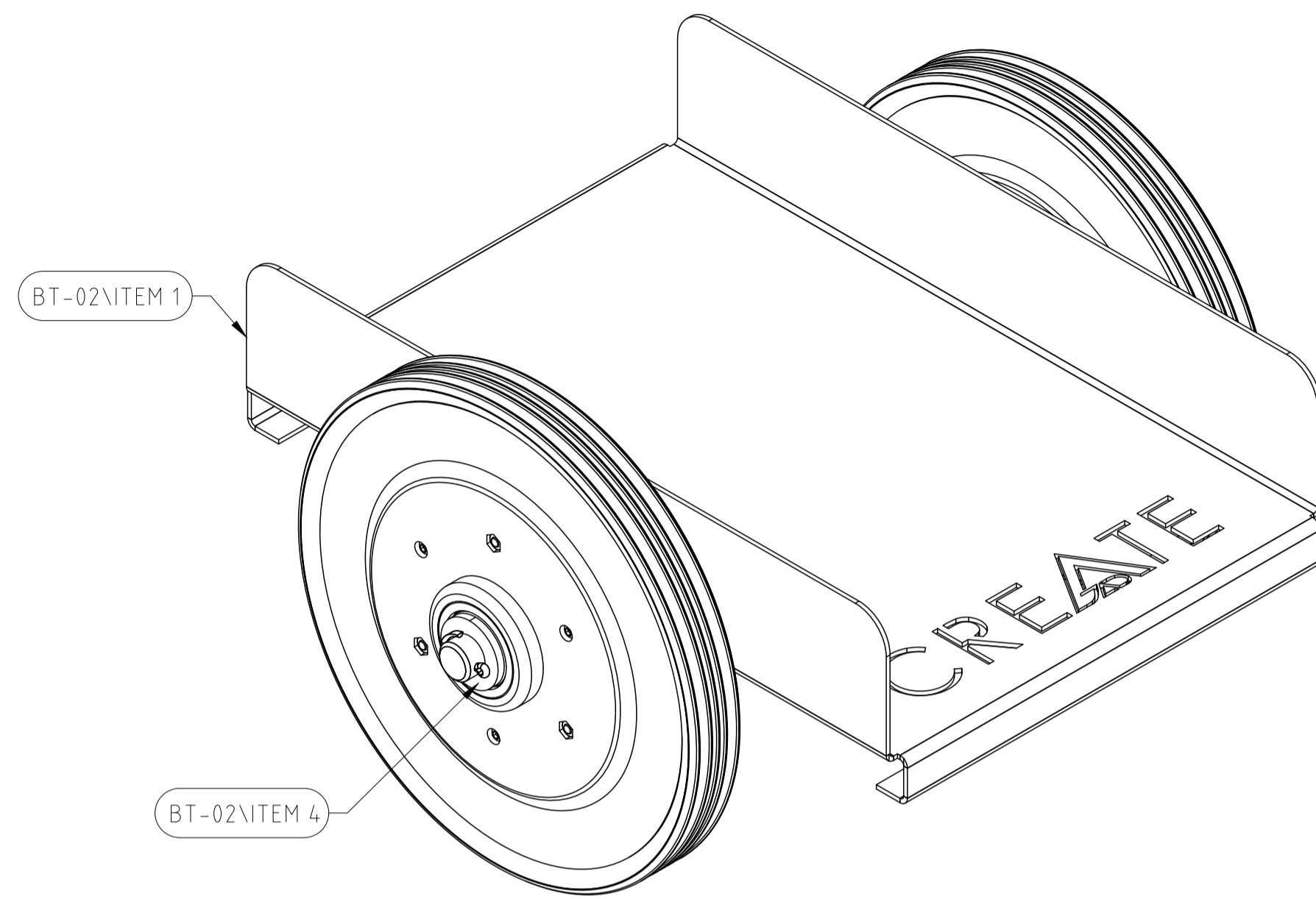
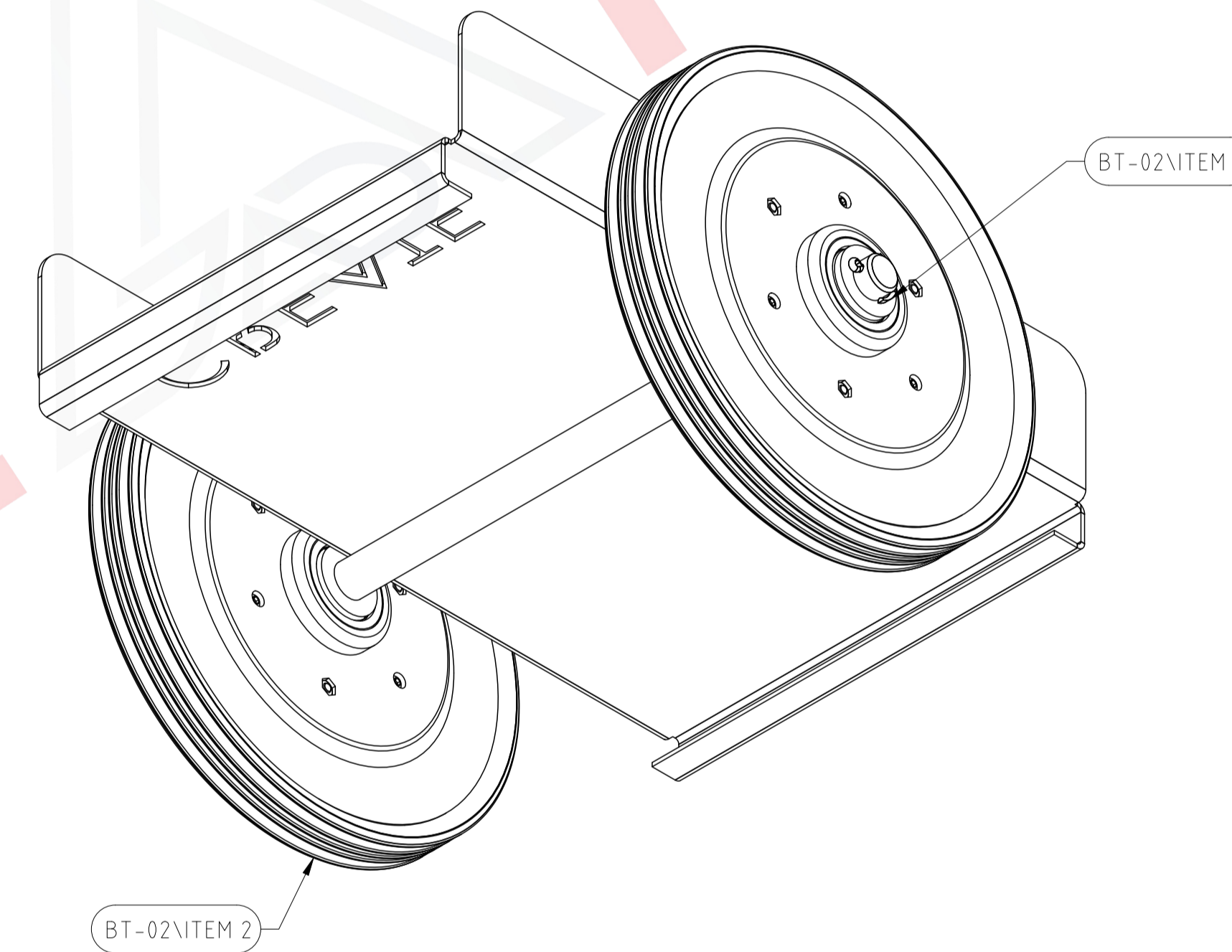


ESTIMATED MASS: 17.00 kg

PARTS LIST		
ITEM	QTY	DESCRIPTION
BT-02\ITEM 1	1	TROLLEY BODY
BT-02\ITEM 2	2	Ø320 WHEEL
BT-02\ITEM 3	2	Ø4 x 30mm LNG SPLITPIN
BT-02\ITEM 4	4	WASHER



ISOMETRIC VIEW 1
BT-02



ISOMETRIC VIEW 2
BT-02

GENERAL NOTES

1. ALL DIMENSIONS IN mm, U.O.N.
2. STRUCTURAL STEEL IS IN ACCORDANCE WITH GENERAL SPECIFICATION REF. SANS 10162.
3. FOR ALL OTHER NOTES PLEASE REFER TO THE USER MANUAL.

ITEM
BT-02 BEAM TROLLEY
IDENTIFICATION DRAWING
GENERAL ARRANGEMENT
S.W.L. 500 kg

REFERENCE DRAWINGS		REVISION TABLE			
DRAWING NUMBER	DESCRIPTION	REV	DATE	DESCRIPTION	BY
CRT-BD-02-1-R0 SHEET 2 OF 2	ASSEMBLY	0	15/05/2025	FOR INFORMATION ONLY	T.K

THIS DRAWING IS THE PROPERTY OF CREATE AND MAY NOT BE COPIED OR REPRODUCED EITHER IN WHOLLY OR IN PART WITHOUT THE WRITTEN PERMISSION OF THE ABOVEMENTIONED COMPANY.

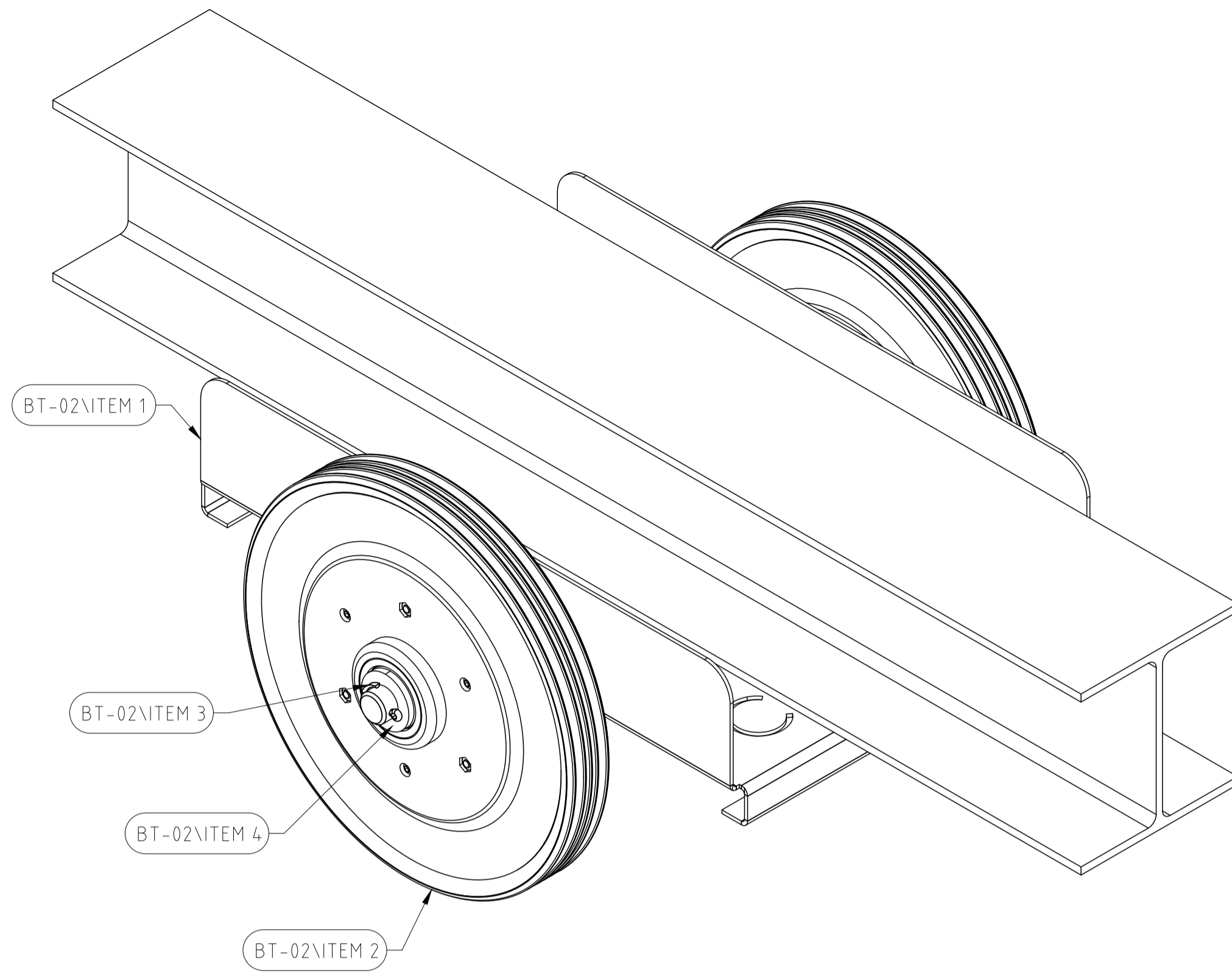


Cell: +27 60 890 8171
Email: create@jadengineering.co.za

DRAWING NUMBER CRT-BT-02-1-R0		
SHEET 1 OF 2	REV 0	A1
PROJECTION		
DRAWN BY:	T.K	
CHECKED BY:	P.H	
SCALE:	NTS	

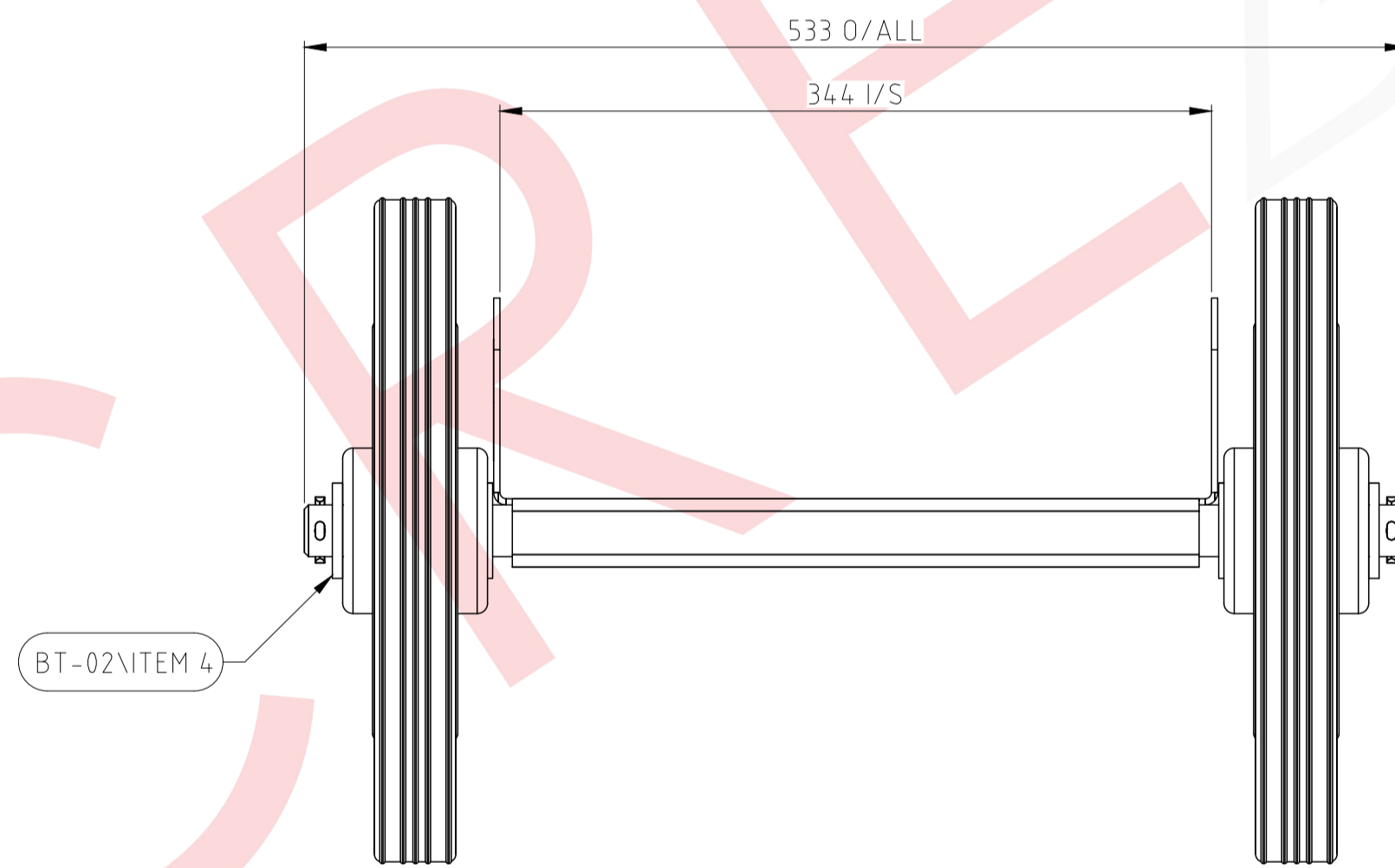
ESTIMATED MASS: 17.00 kg

PARTS LIST		
ITEM	QTY	DESCRIPTION
BT-02\ITEM 1	1	TROLLEY BODY
BT-02\ITEM 2	2	Ø320 WHEEL
BT-02\ITEM 3	2	Ø4 x 30mm LNG SPLITPIN
BT-02\ITEM 4	4	WASHER

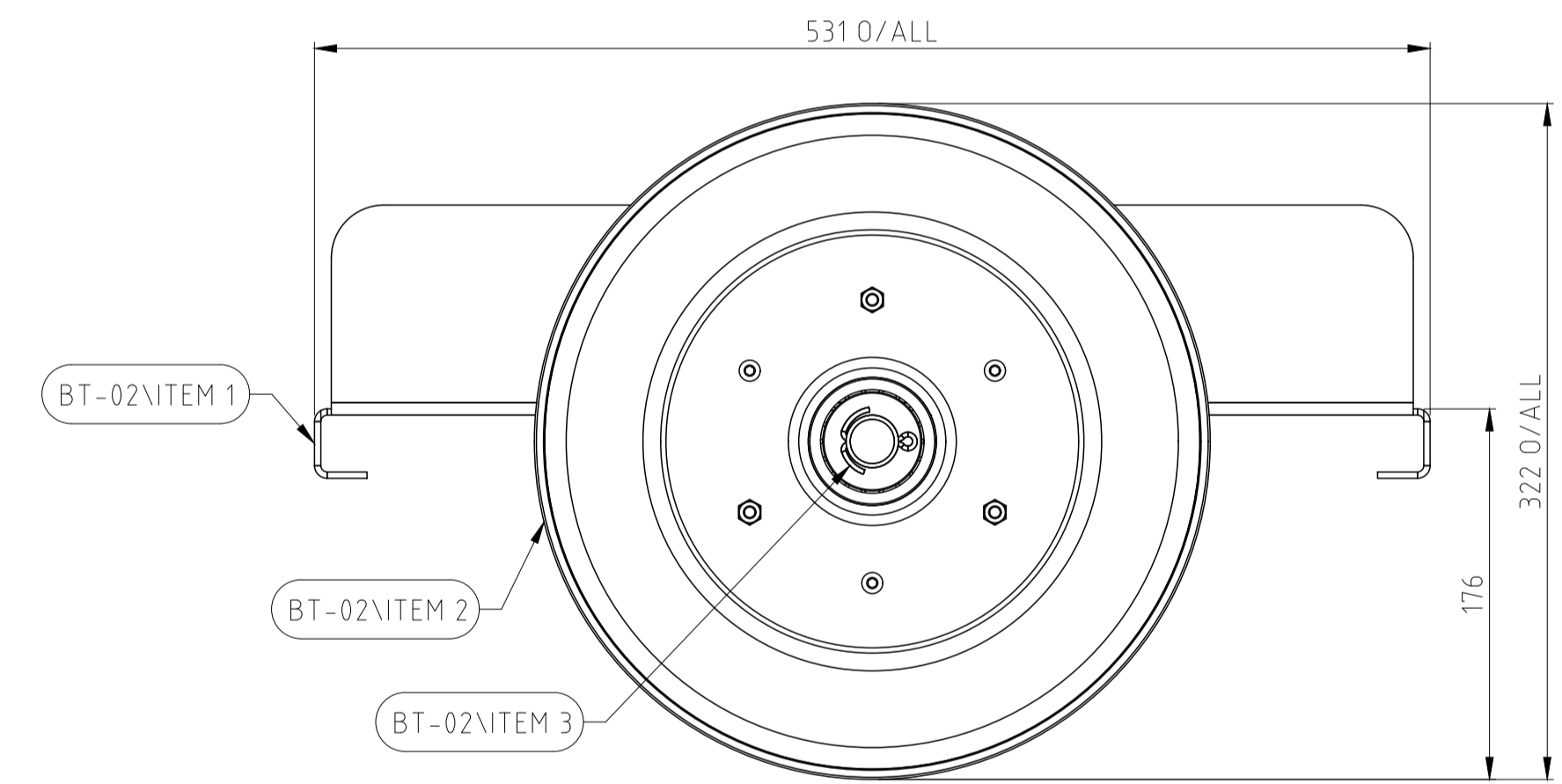


ISOMETRIC VIEW 3

BT-02
IN OPERATION



FRONT VIEW
BT-02



RIGHT VIEW

GENERAL NOTES

1. ALL DIMENSIONS IN mm, U.O.N.
2. STRUCTURAL STEEL IS IN ACCORDANCE WITH GENERAL SPECIFICATION REF. SANS 10162.
3. FOR ALL OTHER NOTES PLEASE REFER TO THE USER MANUAL.

ITEM
BT-02 BEAM TROLLEY
IDENTIFICATION DRAWING
ASSEMBLY
S.W.L. 500 kg

REFERENCE DRAWINGS		REVISION TABLE			
DRAWING NUMBER	DESCRIPTION	REV	DATE	DESCRIPTION	BY
CRT-BD-02-1-R0 SHEET 1 OF 2	GENERAL ARRANGEMENT	0	15/05/2025	FOR INFORMATION ONLY	T.K

THIS DRAWING IS THE PROPERTY OF CREATE AND MAY NOT BE COPIED OR REPRODUCED EITHER IN WHOLLY OR IN PART WITHOUT THE WRITTEN PERMISSION OF THE ABOVEMENTIONED COMPANY.



Cell: +27 60 890 8171
Email: create@jadengineering.co.za

DRAWING NUMBER CRT-BT-02-1-R0	
SHEET 2 OF 2	REV 0
PROJECTION First Angle	
DRAWN BY: T.K	CHECKED BY: P.H
SCALE: NTS	