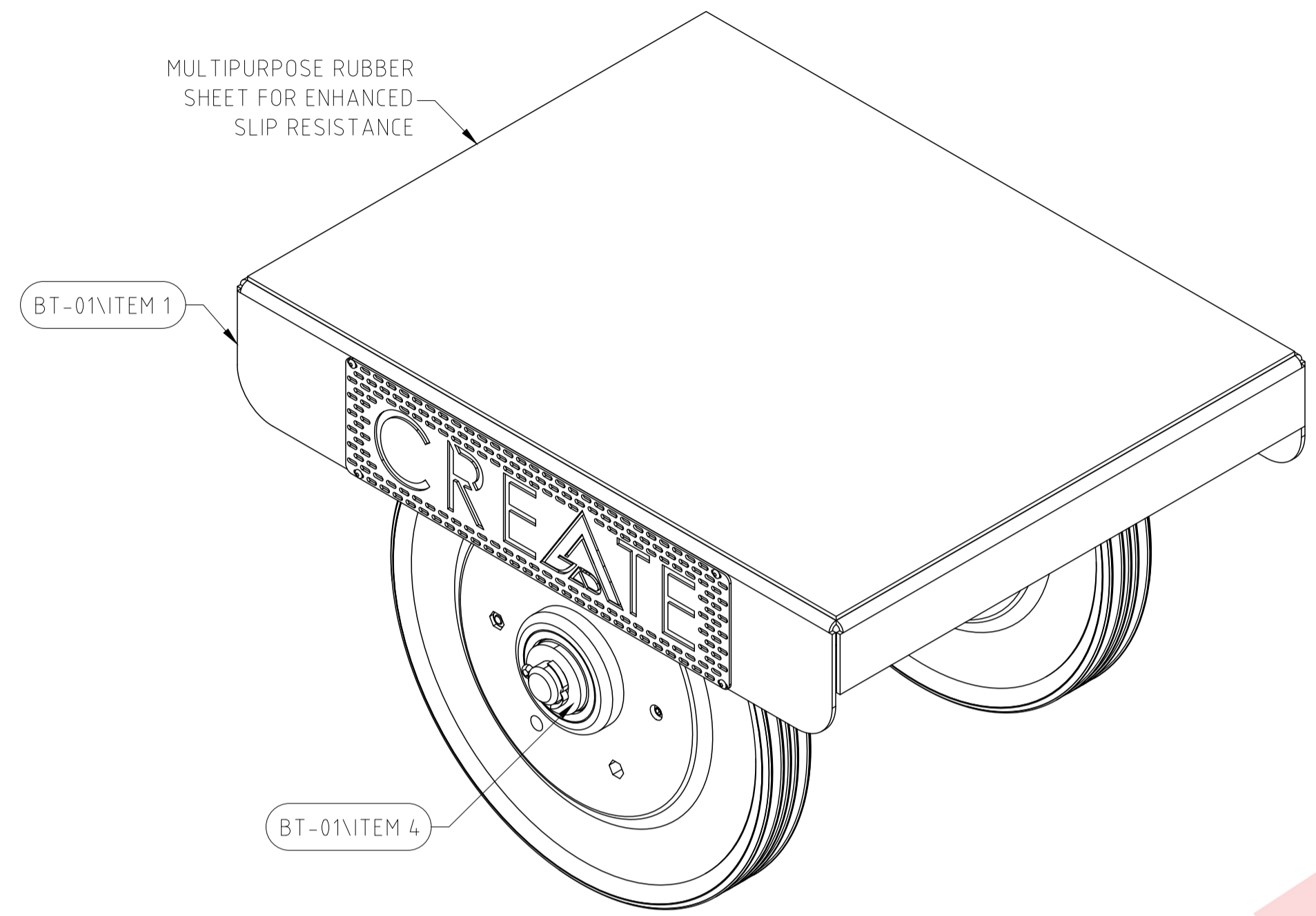
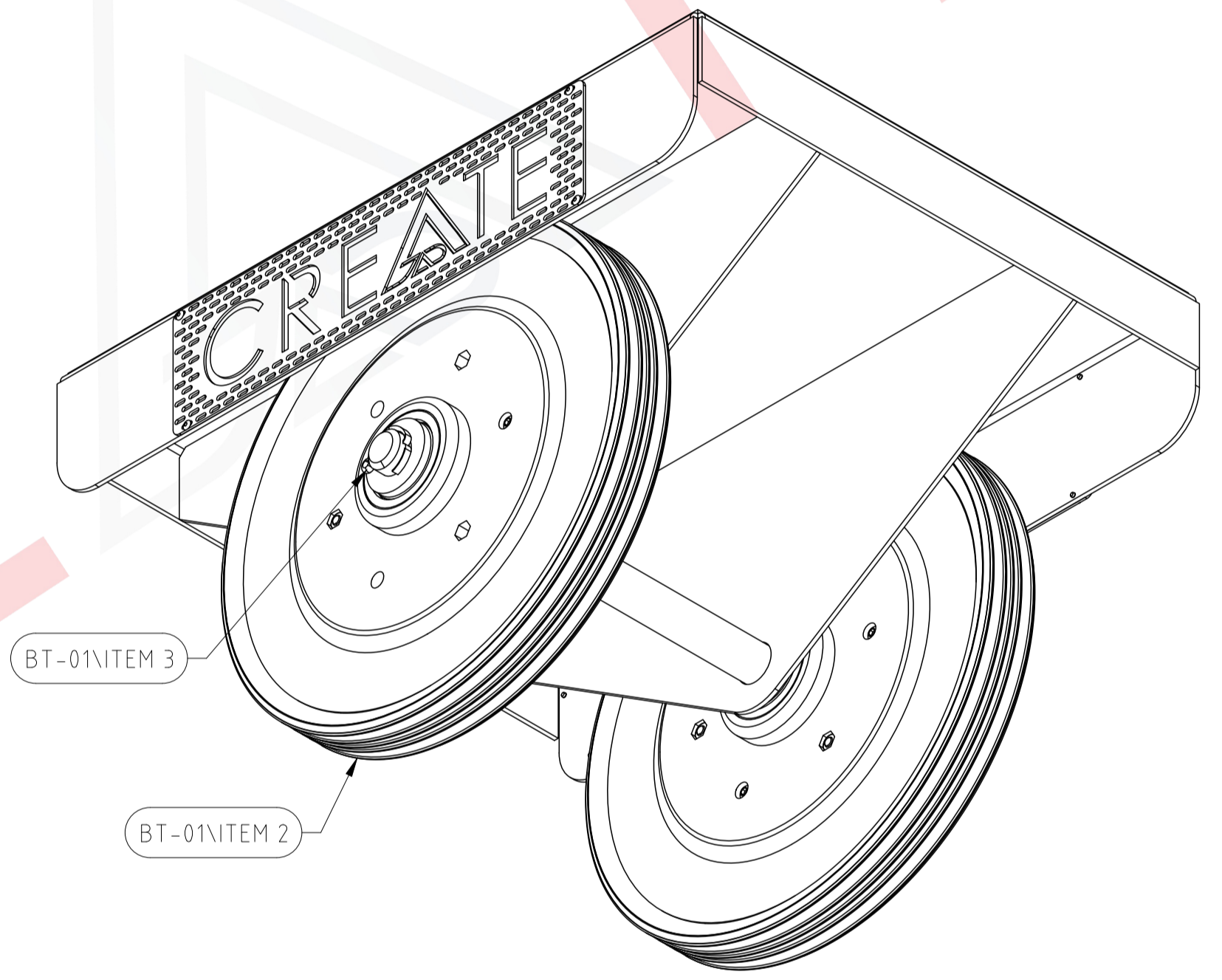


ESTIMATED MASS: 20.00 kg

PARTS LIST		
ITEM	QTY	DESCRIPTION
BT-01\ITEM 1	1	TROLLEY BODY
BT-01\ITEM 2	2	Ø320 WHEEL
BT-01\ITEM 3	2	Ø4 x 30mm LNG SPLITPIN
BT-01\ITEM 4	4	WASHER



ISOMETRIC VIEW 1
BT-01



ISOMETRIC VIEW 2
BT-01

GENERAL NOTES

1. ALL DIMENSIONS IN mm, U.O.N
2. STRUCTURAL STEEL IS IN ACCORDANCE WITH GENERAL SPECIFICATION REF. SANS 10162.
3. FOR ALL OTHER NOTES PLEASE REFER TO THE USER MANUAL.

REFERENCE DRAWINGS		REVISION TABLE			
DRAWING NUMBER	DESCRIPTION	REV	DATE	DESCRIPTION	BY
CRT-BT-01-I-R0 SHEET 2 OF 2	ASSEMBLY	0	15/05/2025	FOR INFORMATION ONLY	T.K

THIS DRAWING IS THE PROPERTY OF CREATE AND MAY NOT BE COPIED OR REPRODUCED EITHER IN WHOLLY OR IN PART WITHOUT THE WRITTEN PERMISSION OF THE ABOVEMENTIONED COMPANY.

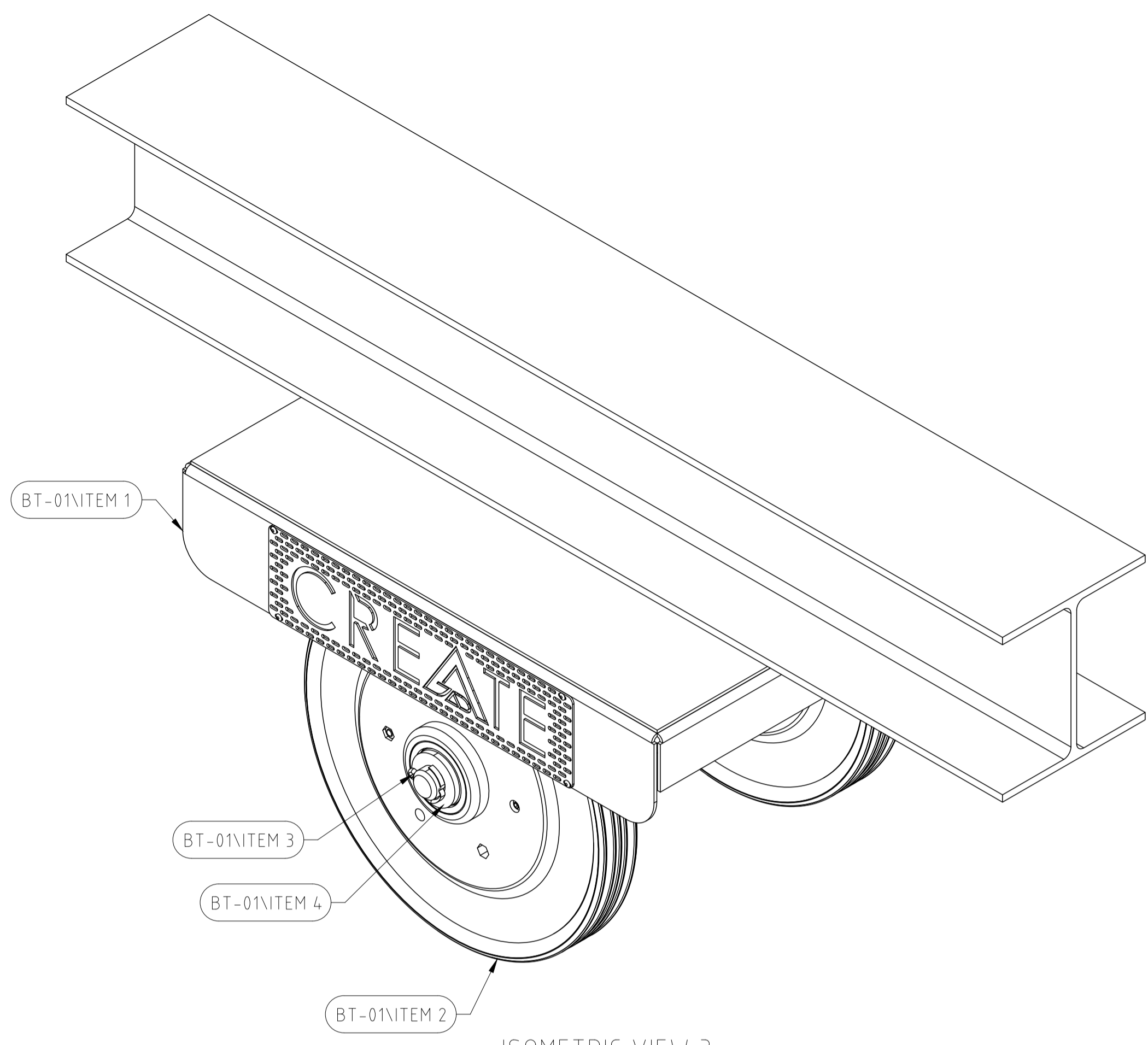


Cell: +27 60 890 8171
Email: create@jadengineering.co.za

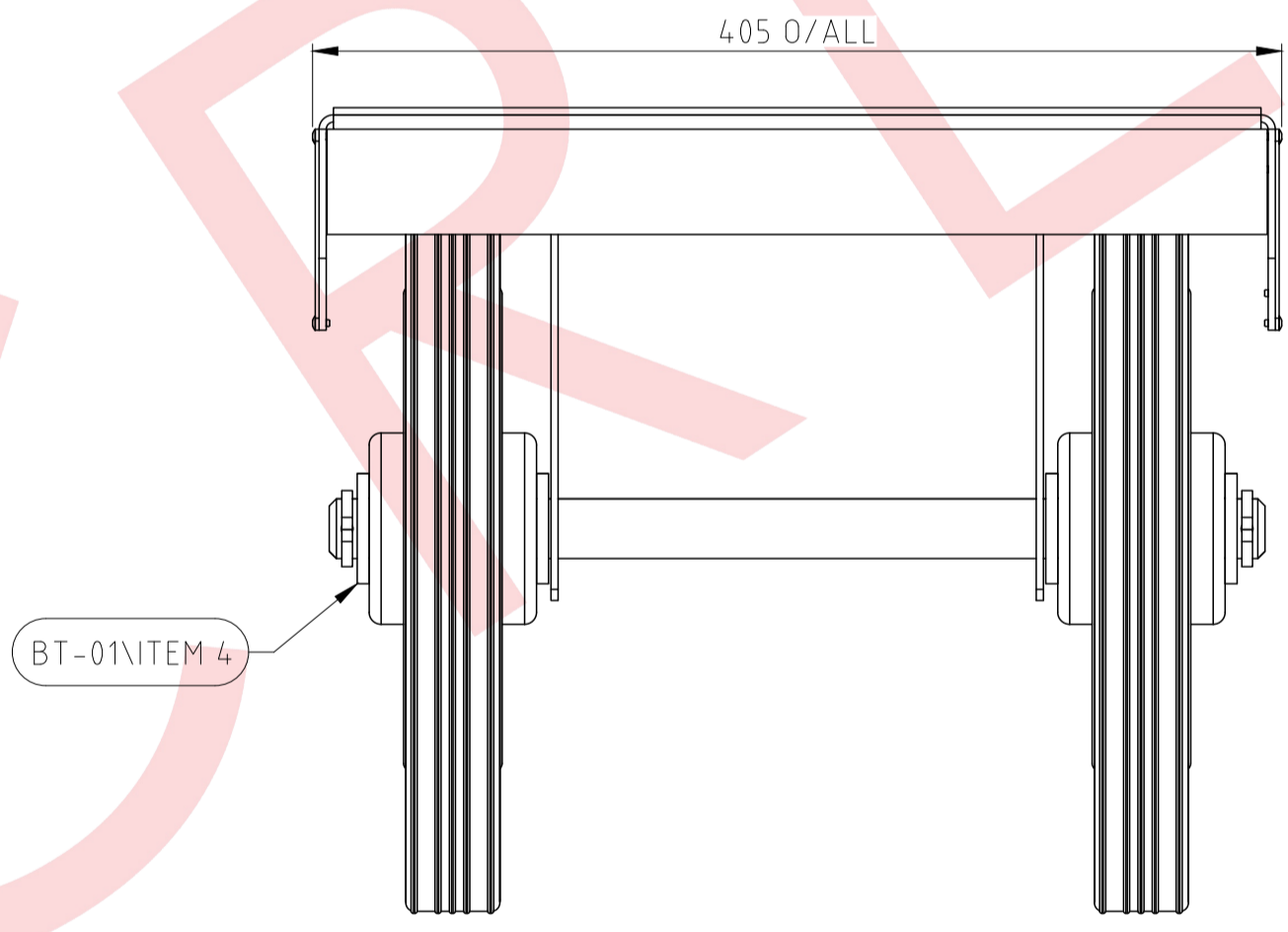
ITEM			
BT-01 BEAM TROLLEY IDENTIFICATION DRAWING GENERAL ARRANGEMENT S.W.L. 500 kg			
DRAWING NUMBER			
CRT-BT-01-I-R0			
SHEET	REV	A1	
1	0	OF 2	
PROJECTION			
DRAWN BY:		T.K	
CHECKED BY:		P.H	
SCALE:		NTS	

ESTIMATED MASS: 20.00 kg

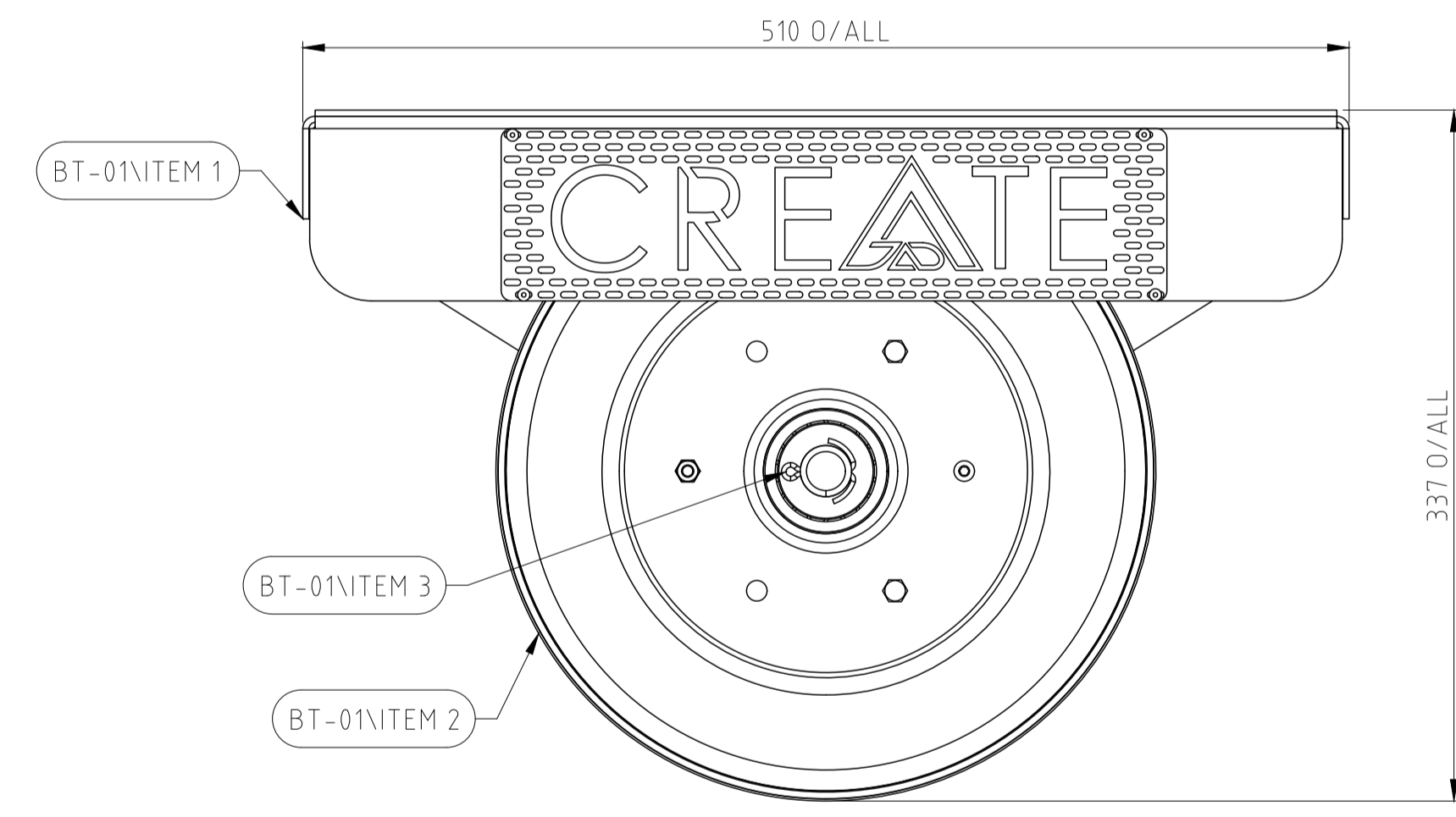
PARTS LIST		
ITEM	QTY	DESCRIPTION
BT-01\ITEM 1	1	TROLLEY BODY
BT-01\ITEM 2	2	Ø320 WHEEL
BT-01\ITEM 3	2	Ø4 x 30mm LNG SPLITPIN
BT-01\ITEM 4	4	WASHER



ISOMETRIC VIEW 3
BT-01
IN OPERATION



FRONT VIEW
BT-01



RIGHT VIEW

GENERAL NOTES

- ALL DIMENSIONS IN mm, U.O.N
- STRUCTURAL STEEL IS IN ACCORDANCE WITH GENERAL SPECIFICATION REF. SANS 10162.
- FOR ALL OTHER NOTES PLEASE REFER TO THE USER MANUAL.

REFERENCE DRAWINGS		REVISION TABLE			
DRAWING NUMBER	DESCRIPTION	REV	DATE	DESCRIPTION	BY
CRT-BT-01-I-R0 SHEET 1 OF 2	GENERAL ARRANGEMENT	0	15/05/2025	FOR INFORMATION ONLY	T.K

THIS DRAWING IS THE PROPERTY OF CREATE AND MAY NOT BE COPIED OR REPRODUCED EITHER IN WHOLLY OR IN PART WITHOUT THE WRITTEN PERMISSION OF THE ABOVEMENTIONED COMPANY.



Cell: +27 60 890 8171
Email: create@jadengineering.co.za

ITEM BT-01 BEAM TROLLEY IDENTIFICATION DRAWING ASSEMBLY S.W.L. 500 kg			
DRAWING NUMBER CRT-BT-01-I-R0			
SHEET 2 OF 2	REV 0	A1	
PROJECTION			
DRAWN BY:	T.K		
CHECKED BY:	P.H		
SCALE:	NTS		