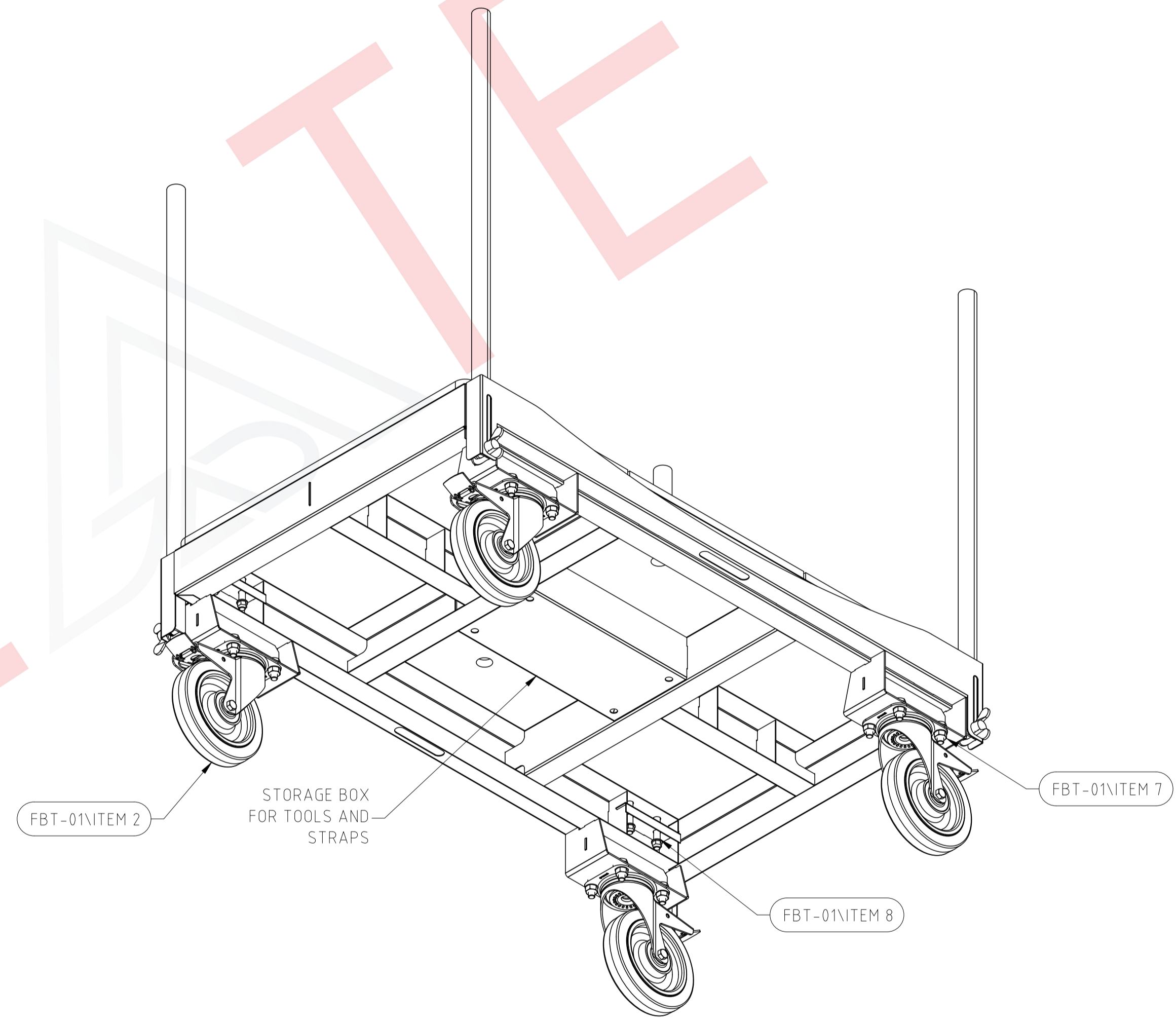
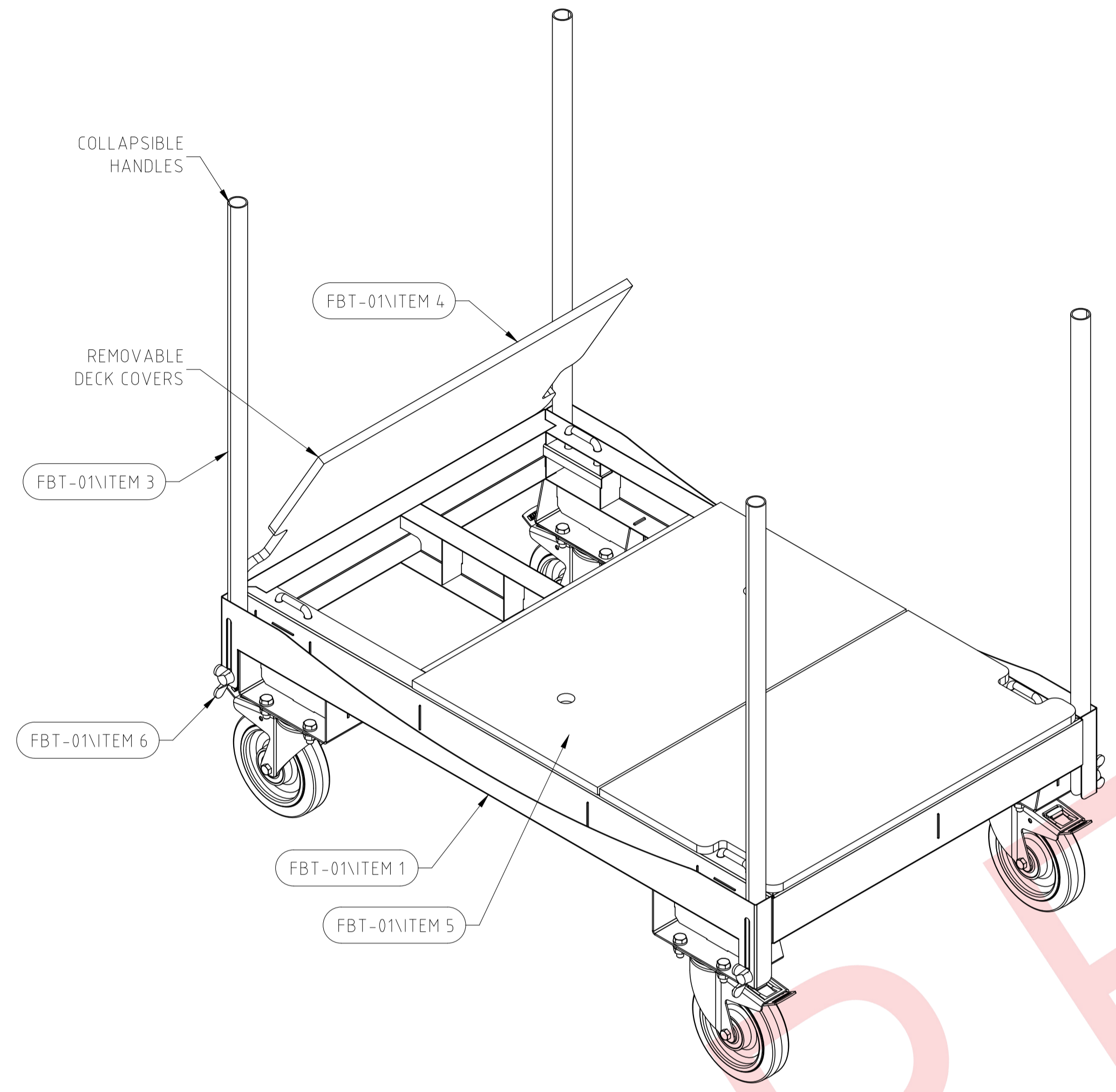


ESTIMATED MASS: 46.00 kg

PARTS LIST		
ITEM	QTY	DESCRIPTION
FBT-01\ITEM 1	1	TROLLEY BODY
FBT-01\ITEM 2	4	Ø200 SWIVEL CASTOR
FBT-01\ITEM 3	4	HANDLES
FBT-01\ITEM 4	2	DECK COVER 1
FBT-01\ITEM 5	1	DECK COVER 2
FBT-01\ITEM 6	4	M10 x 25 WING NUT STUD
FBT-01\ITEM 7	16	M10 x 25 BOLT ASSEMBLY
FBT-01\ITEM 8	4	M12 U-BOLT ASSEMBLY



GENERAL NOTES

1. ALL DIMENSIONS IN mm, U.O.N.
2. STRUCTURAL STEEL IS IN ACCORDANCE WITH GENERAL SPECIFICATION REF. SANS 10162.
3. FOR ALL OTHER NOTES PLEASE REFER TO THE USER MANUAL.

ITEM
FBT-01 FLATBED TROLLEY
IDENTIFICATION DRAWING
GENERAL ARRANGEMENT
S.W.L. 750 kg

REFERENCE DRAWINGS		REVISION TABLE			
DRAWING NUMBER	DESCRIPTION	REV	DATE	DESCRIPTION	BY
CRT-FBT-01-I-RO SHEET 2 OF 2	ASSEMBLY	0	19/05/2025	FOR INFORMATION ONLY	T.K

THIS DRAWING IS THE PROPERTY OF CREATE AND MAY NOT BE COPIED OR REPRODUCED EITHER IN WHOLLY OR IN PART WITHOUT THE WRITTEN PERMISSION OF THE ABOVEMENTIONED COMPANY.

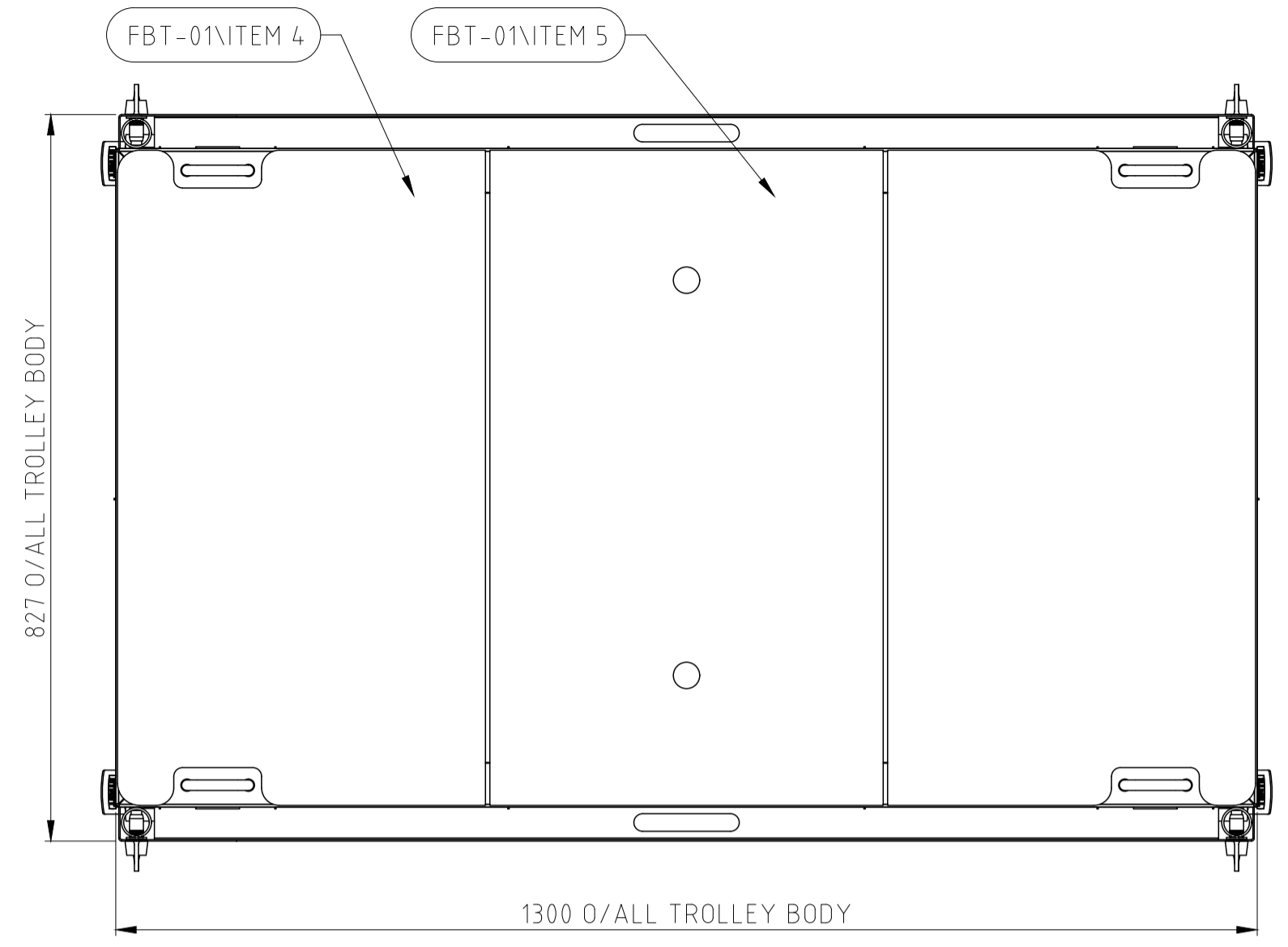


Cell: +27 60 890 8171
Email: create@jadengineering.co.za

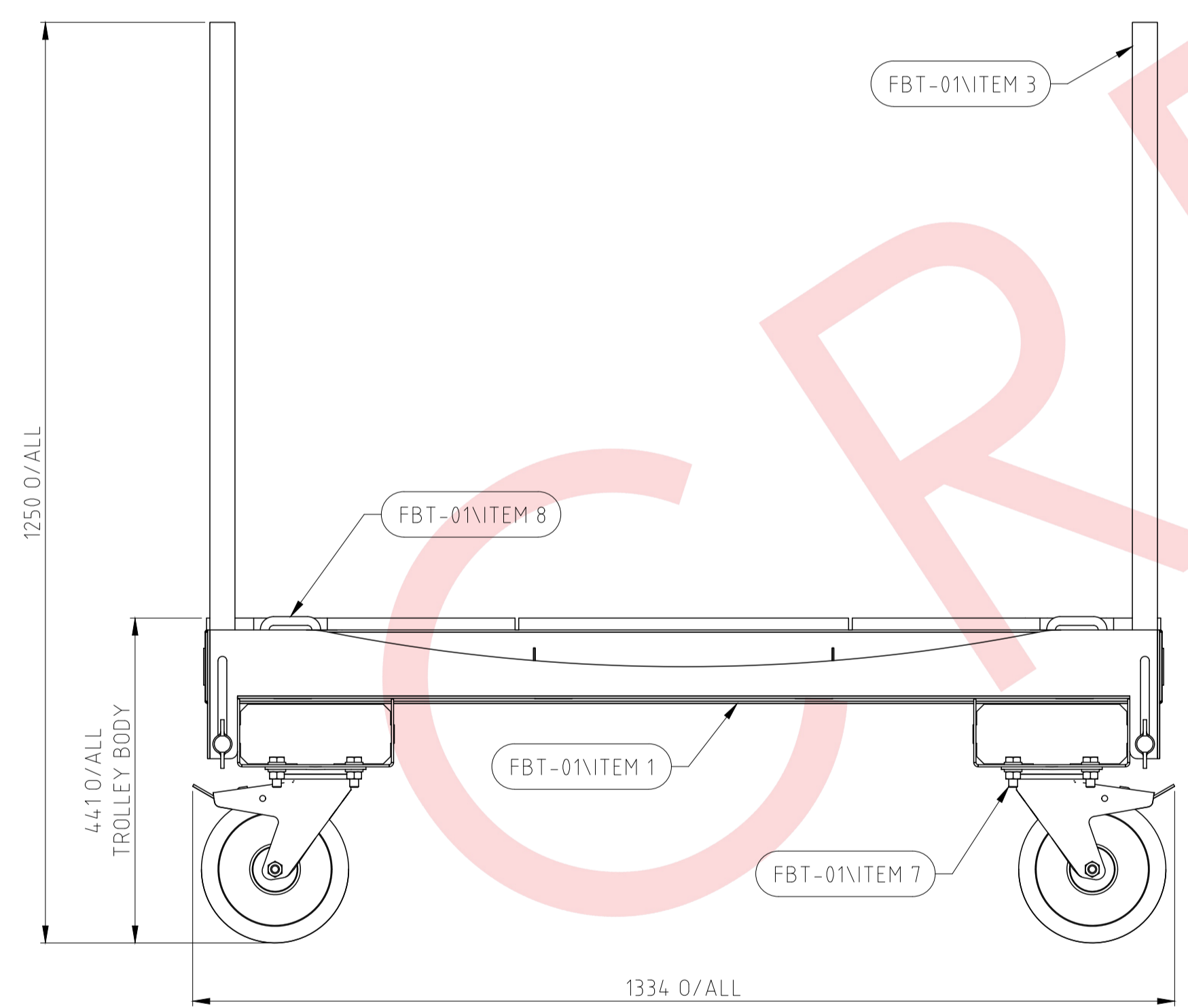
DRAWING NUMBER CRT-FBT-01-I-RO		
SHEET 1 OF 2	REV 0	A1
PROJECTION ⊕		
DRAWN BY:	T.K	
CHECKED BY:	P.H	
SCALE:	NTS	

ESTIMATED MASS: 46.00 kg

PARTS LIST		
ITEM	QTY	DESCRIPTION
FBT-01\ITEM 1	1	TROLLEY BODY
FBT-01\ITEM 2	4	Ø200 SWIVEL CASTOR
FBT-01\ITEM 3	4	HANDLES
FBT-01\ITEM 4	2	DECK COVER 1
FBT-01\ITEM 5	1	DECK COVER 2
FBT-01\ITEM 6	4	M10 x 25 WING NUT STUD
FBT-01\ITEM 7	16	M10 x 25 BOLT ASSEMBLY
FBT-01\ITEM 8	4	M12 U-BOLT ASSEMBLY

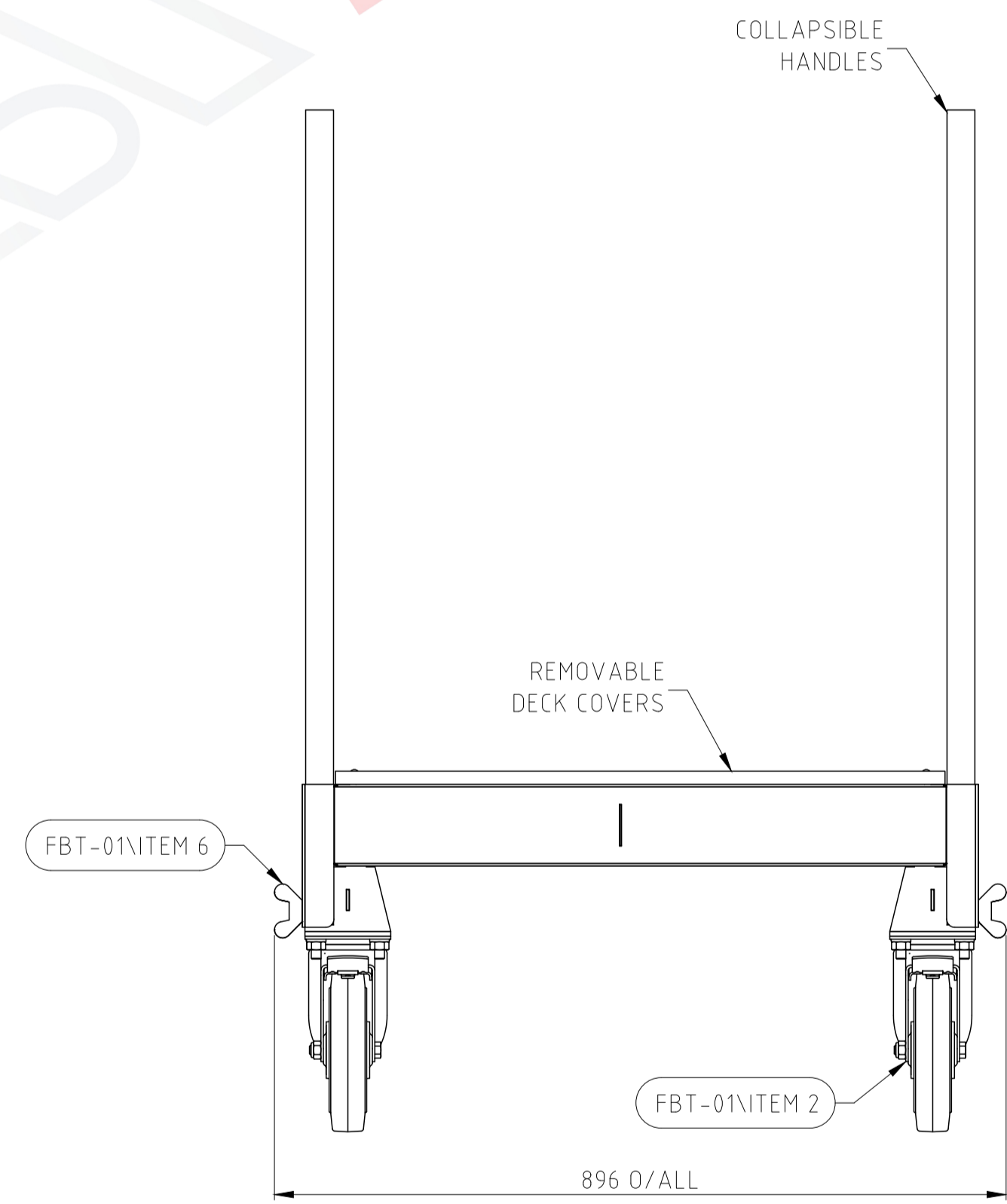


TOP VIEW



FRONT VIEW

FBT-01



RIGHT VIEW

GENERAL NOTES

1. ALL DIMENSIONS IN mm, U.O.N.
2. STRUCTURAL STEEL IS IN ACCORDANCE WITH GENERAL SPECIFICATION REF. SANS 10162.
3. FOR ALL OTHER NOTES PLEASE REFER TO THE USER MANUAL.

ITEM
 FBT-01 FLATBED TROLLEY
 IDENTIFICATION DRAWING
 ASSEMBLY
 S.W.L. 750 kg

REFERENCE DRAWINGS		REVISION TABLE			
DRAWING NUMBER	DESCRIPTION	REV	DATE	DESCRIPTION	BY
CRT-FBT-01-I-RO SHEET 1 OF 2	GENERAL ARRANGEMENT	0	19/05/2025	FOR INFORMATION ONLY	T.K

THIS DRAWING IS THE PROPERTY OF CREATE AND MAY NOT BE COPIED OR REPRODUCED EITHER IN WHOLLY OR IN PART WITHOUT THE WRITTEN PERMISSION OF THE ABOVEMENTIONED COMPANY.



Cell: +27 60 890 8171
 Email: create@jadengineering.co.za

DRAWING NUMBER CRT-FBT-01-I-RO		
SHEET 2 OF 2	REV 0	A1
PROJECTION 		
DRAWN BY:	T.K	
CHECKED BY:	P.H	
SCALE:	NTS	