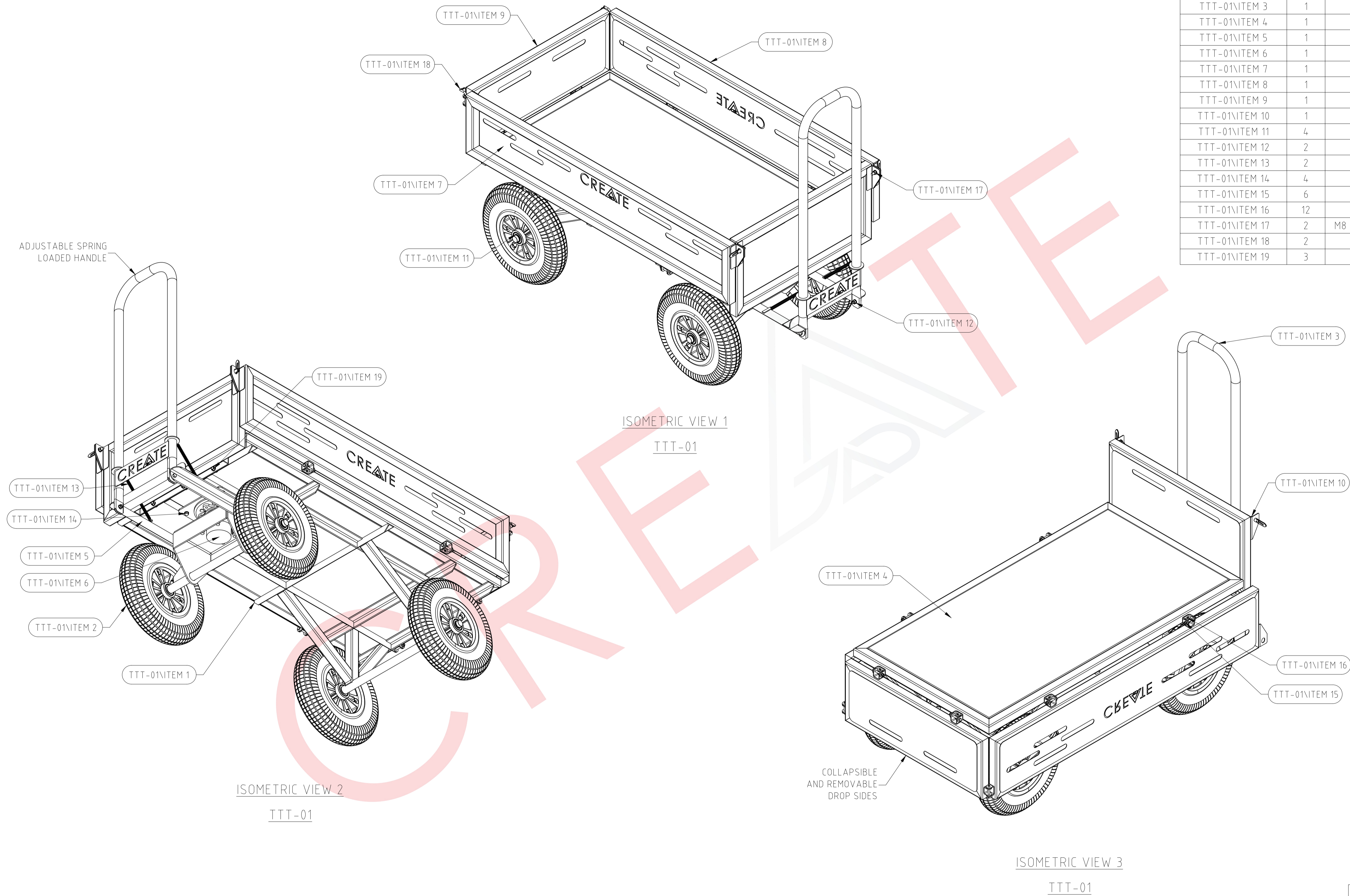


ESTIMATED MASS: 130.00 kg

PARTS LIST		
ITEM	QTY	DESCRIPTION
TTT-01\ITEM 1	1	TROLLEY BODY
TTT-01\ITEM 2	4	Ø400 WHEEL
TTT-01\ITEM 3	1	TROLLEY HANDLE
TTT-01\ITEM 4	1	DECK COVER
TTT-01\ITEM 5	1	SWIVEL MECHANISM
TTT-01\ITEM 6	1	HUB ASSEMBLY
TTT-01\ITEM 7	1	DROP SIDE 1
TTT-01\ITEM 8	1	DROP SIDE 2
TTT-01\ITEM 9	1	DROP SIDE 3
TTT-01\ITEM 10	1	DROP SIDE 4
TTT-01\ITEM 11	4	Ø25 EXTERNAL CIRCLIP
TTT-01\ITEM 12	2	M8 x 25 LNG BOLT ASSEMBLY
TTT-01\ITEM 13	2	SPRING
TTT-01\ITEM 14	4	M8 x 25 LNG BOLT ASSEMBLY
TTT-01\ITEM 15	6	M6 x 50 LNG BOLT ASSEMBLY
TTT-01\ITEM 16	12	M5 x 45 LNG CSK BOLT ASSEMBLY
TTT-01\ITEM 17	2	M8 ANTI RATTLE TAILGATE LATCH ASSEMBLY
TTT-01\ITEM 18	2	PIN ASSEMBLY
TTT-01\ITEM 19	3	M8 x 25 LNG BOLT ASSEMBLY



GENERAL NOTES

1. ALL DIMENSIONS IN mm, U.O.N.
2. STRUCTURAL STEEL IS IN ACCORDANCE WITH GENERAL SPECIFICATION REF. SANS 10162.
3. FOR ALL OTHER NOTES PLEASE REFER TO THE USER MANUAL.

REFERENCE DRAWINGS		REVISION TABLE			
DRAWING NUMBER	DESCRIPTION	REV	DATE	DESCRIPTION	BY
CRT-TTT-01-I-RO SHEET 2 OF 2	ASSEMBLY	0	03/06/2025	FOR INFORMATION ONLY	T.K

THIS DRAWING IS THE PROPERTY OF CREATE AND MAY NOT BE COPIED OR REPRODUCED EITHER IN WHOLLY OR IN PART WITHOUT THE WRITTEN PERMISSION OF THE ABOVEMENTIONED COMPANY.



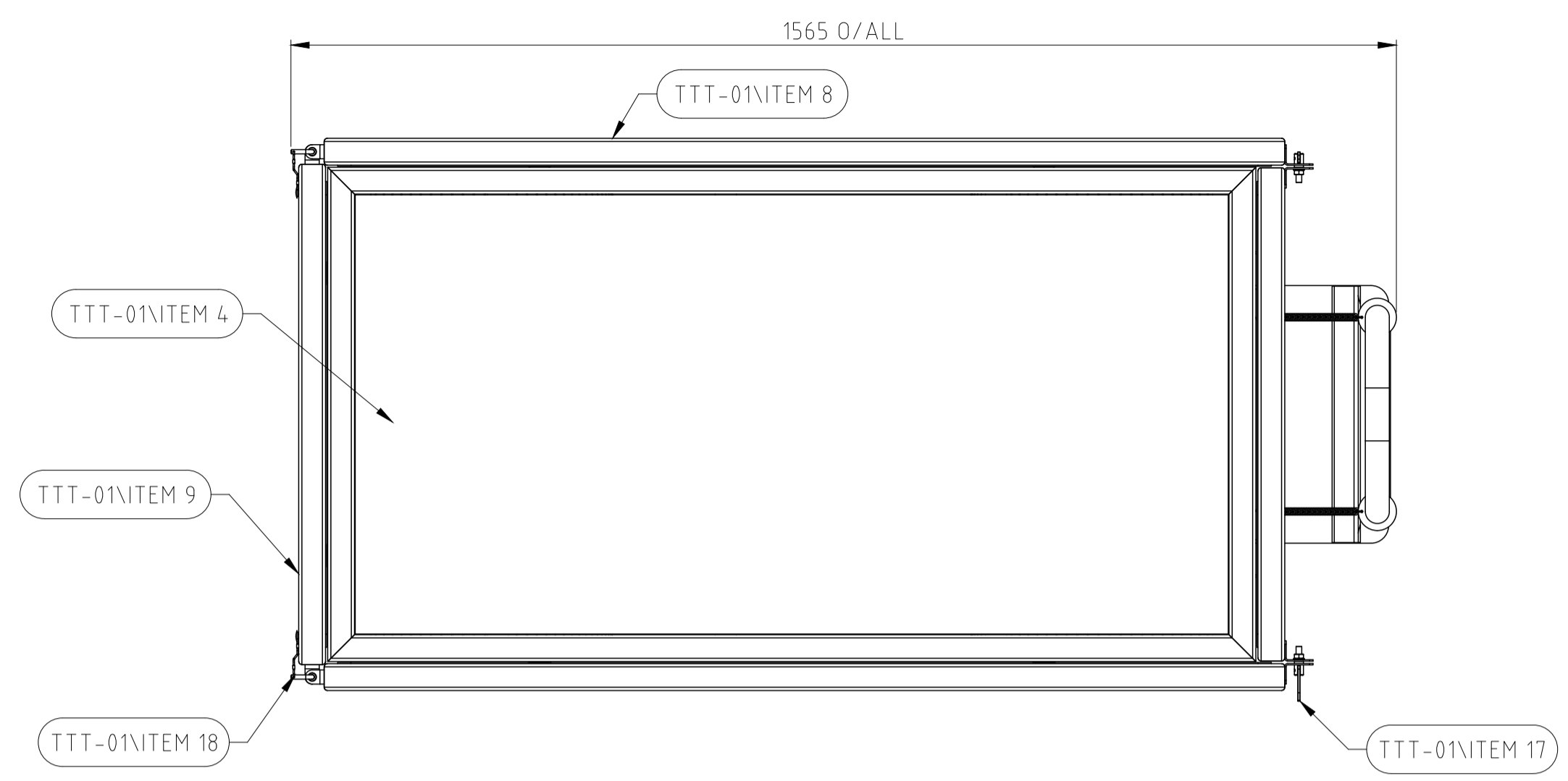
Cell: +27 60 890 8171
Email: create@jadengineering.co.za

ITEM TTT-01 TURN TABLE TROLLEY IDENTIFICATION DRAWING GENERAL ARRANGEMENT S.W.L. 1000 kg		
DRAWING NUMBER CRT-TTT-01-I-RO		
SHEET 1 OF 2	REV 0	A1
PROJECTION ⊕		
DRAWN BY:	T.K	
CHECKED BY:	P.H	
SCALE:	NTS	

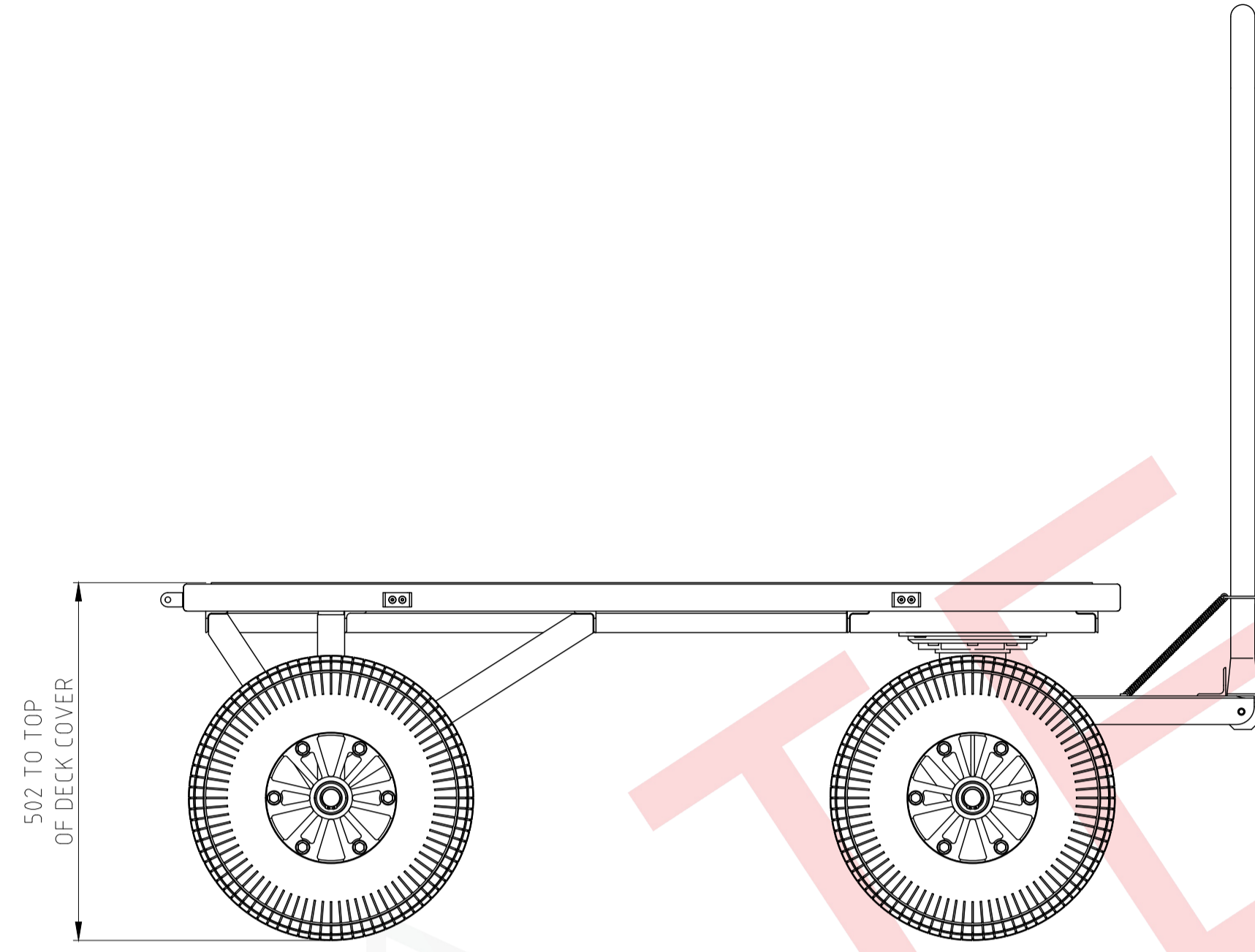
ESTIMATED MASS: 130.00 kg

PARTS LIST

ITEM	QTY	DESCRIPTION
TTT-01\ITEM 1	1	TROLLEY BODY
TTT-01\ITEM 2	4	Ø400 WHEEL
TTT-01\ITEM 3	1	TROLLEY HANDLE
TTT-01\ITEM 4	1	DECK COVER
TTT-01\ITEM 5	1	SWIVEL MECHANISM
TTT-01\ITEM 6	1	HUB ASSEMBLY
TTT-01\ITEM 7	1	DROP SIDE 1
TTT-01\ITEM 8	1	DROP SIDE 2
TTT-01\ITEM 9	1	DROP SIDE 3
TTT-01\ITEM 10	1	DROP SIDE 4
TTT-01\ITEM 11	4	Ø25 EXTERNAL CIRCLIP
TTT-01\ITEM 12	2	M8 x 25 LNG BOLT ASSEMBLY
TTT-01\ITEM 13	2	SPRING
TTT-01\ITEM 14	4	M8 x 25 LNG BOLT ASSEMBLY
TTT-01\ITEM 15	6	M6 x 50 LNG BOLT ASSEMBLY
TTT-01\ITEM 16	12	M5 x 45 LNG CSK BOLT ASSEMBLY
TTT-01\ITEM 17	2	M8 ANTI RATTLE TAILGATE LATCH ASSEMBLY
TTT-01\ITEM 18	2	PIN ASSEMBLY
TTT-01\ITEM 19	3	M8 x 25 LNG BOLT ASSEMBLY

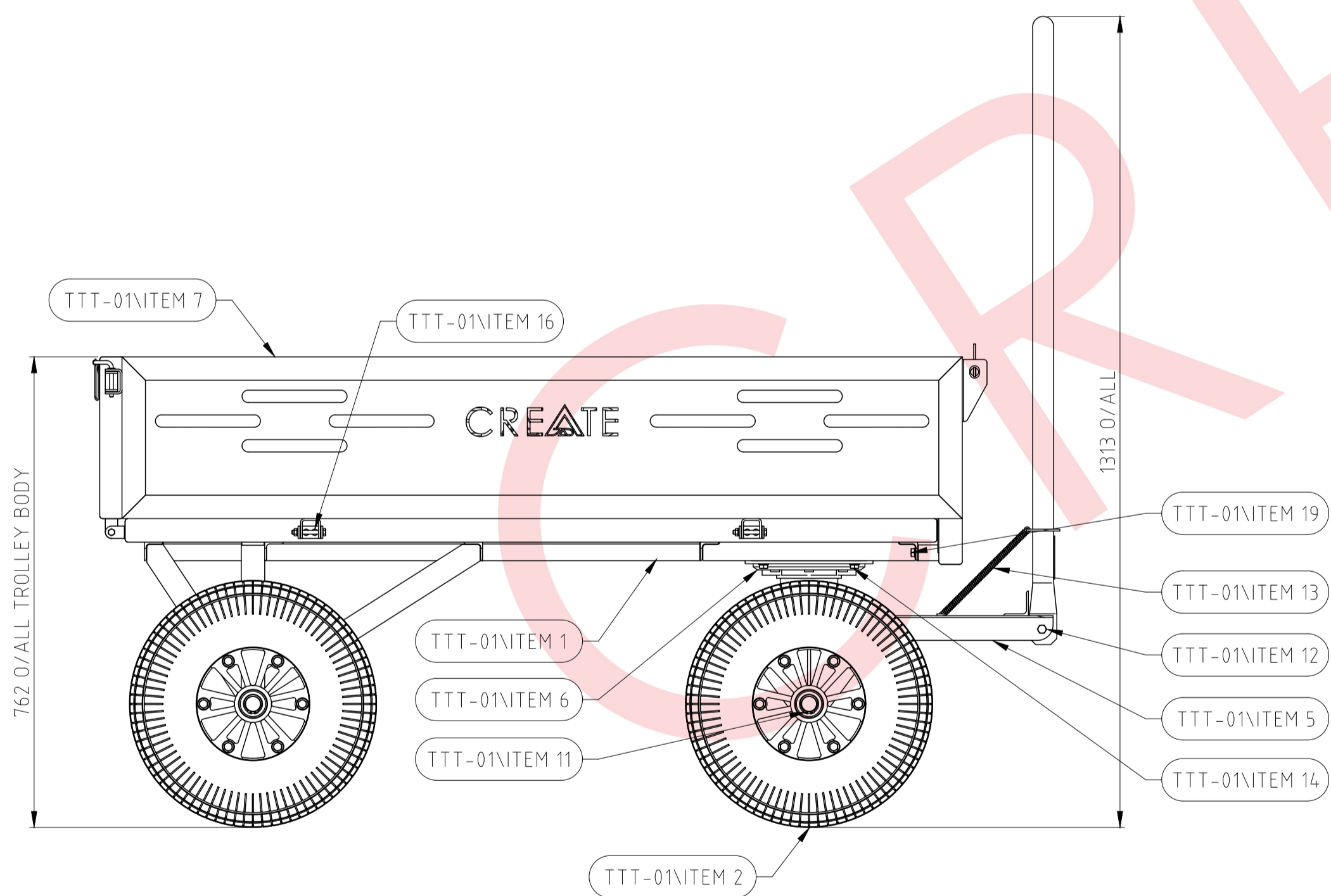


TOP VIEW



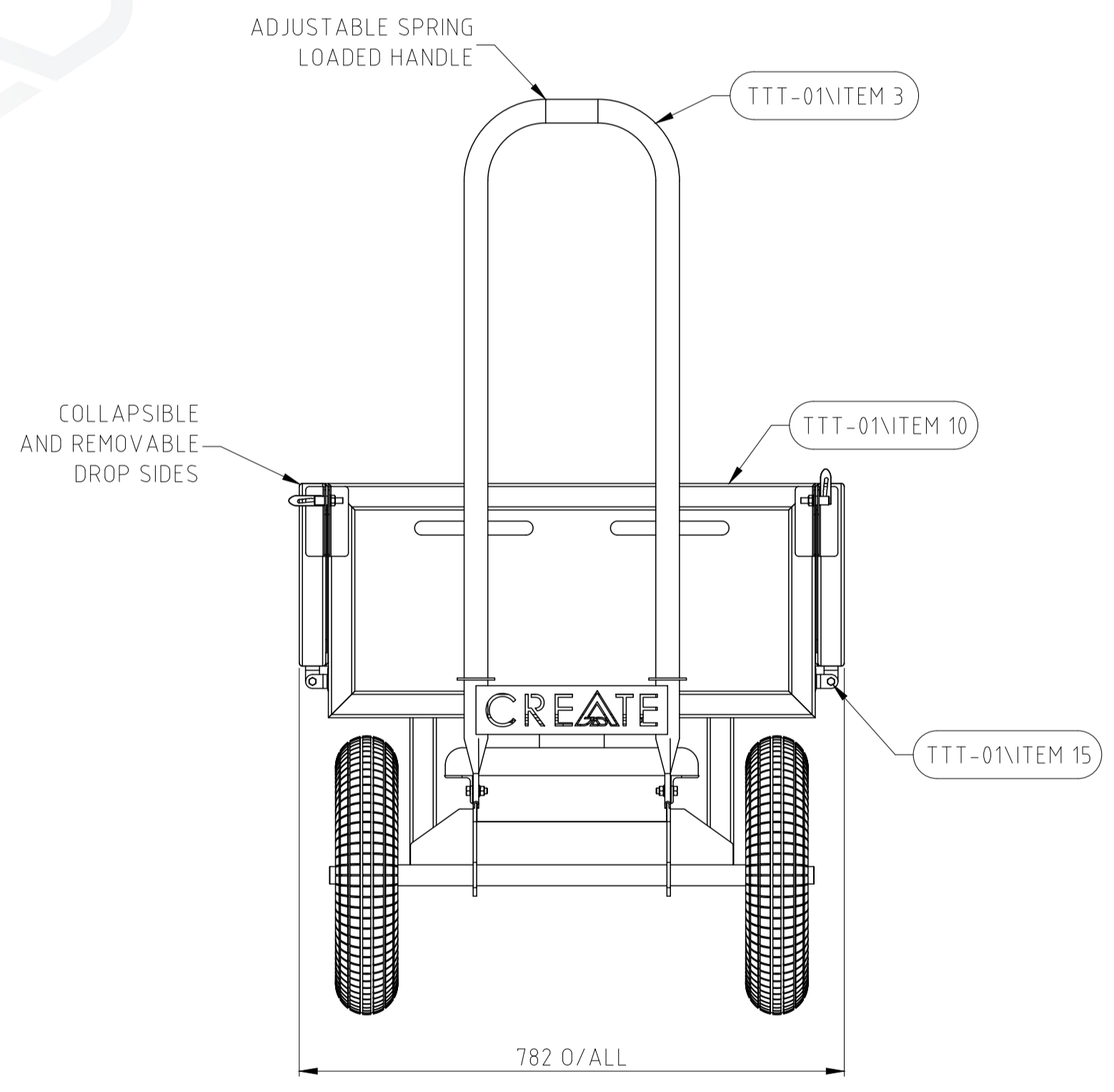
FRONT VIEW

TTT-01
DROP SIDES REMOVED



FRONT VIEW

TTT-01



RIGHT VIEW

GENERAL NOTES

1. ALL DIMENSIONS IN mm, U.O.N.
2. STRUCTURAL STEEL IS IN ACCORDANCE WITH GENERAL SPECIFICATION REF. SANS 10162.
3. FOR ALL OTHER NOTES PLEASE REFER TO THE USER MANUAL.

ITEM
TTT-01 TURN TABLE TROLLEY
IDENTIFICATION DRAWING
ASSEMBLY
S.W.L. 1000 kg

REFERENCE DRAWINGS		REVISION TABLE			
DRAWING NUMBER	DESCRIPTION	REV	DATE	DESCRIPTION	BY
CRT-TTT-01-I-RO SHEET 1 OF 2	GENERAL ARRANGEMENT	0	03/06/2025	FOR INFORMATION ONLY	T.K

THIS DRAWING IS THE PROPERTY OF CREATE AND MAY NOT BE COPIED OR REPRODUCED EITHER IN WHOLLY OR IN PART WITHOUT THE WRITTEN PERMISSION OF THE ABOVEMENTIONED COMPANY.



Cell: +27 60 890 8171
Email: create@jadengineering.co.za

DRAWING NUMBER CRT-TTT-01-I-RO	
SHEET 2 OF 2	REV 0
PROJECTION A1	
DRAWN BY: T.K	CHECKED BY: P.H
SCALE: NTS	